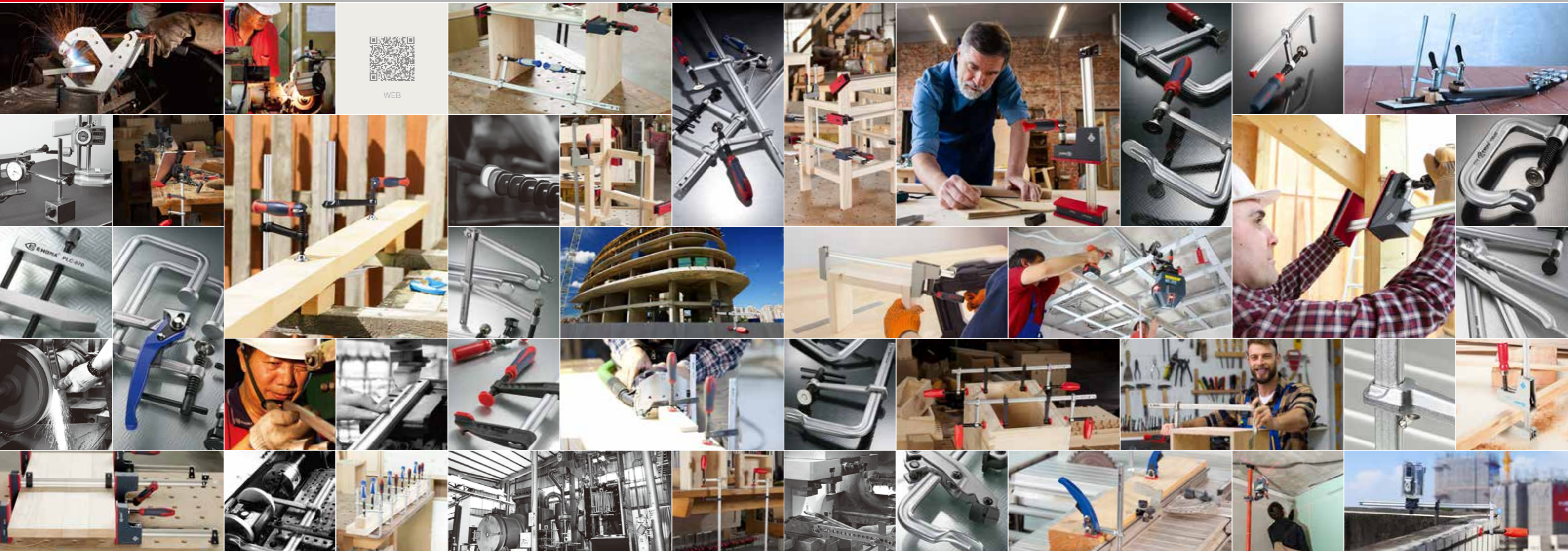




Right Tools For Right Jobs

EHOMA INDUSTRIAL CORPORATION

Address: No 17, Kuochung 2nd Rd., Tali Dist., Taichung City, 41263 Taiwan
Telephone: 886-4-24065031, 886-4-24063069
Fax: 886-4-24060584, 886-4-24068122
E-mail: ehoma@ms32.hinet.net ; ehoma@ehoma.com
Website: www.ehoma.com





Right Tools For Right Jobs

EHOMA Industrial Corporation, an ISO-9001 system-certified company, was established in 1984; famous for its main product lines, clamps and shears. EHOMA specializes in manufacturing a wide range of clamps for variety of industry applications reaching markets worldwide. We pursue constant improvements & innovations in quality, cost and service. Our advanced producing technology and intensive research enable us to develop new products directly related to customer's needs. Quality is our commitment and customers are in the center of our operations. We have established ourselves successfully in business by providing special quick delivery, top quality, most competitive price and experienced professional service.

After effort in 40 years, EHOMA grew up from 3 workers to 70 workers, from 300 m² to 5000 m², from capital US\$ 30,000 to US\$2,700,000. Our growing comes from the persisting in quality and the promising to customers.

EHOMA has been producing clamps for 39 years. EHOMA has a certain position in the world of professional hand tools. The quality and quantities of the clamps that EHOMA makes are globally considered one of the best. Clamps are sold to Japan, Europe, Australia, and North America. Especially in Australia, EHOMA's clamps are the best of the bests.

EHOMA was famous as an excellent OEM & ODM in the world. Customer's designs and OEM orders are welcomed.

Being an OEM doesn't satisfy ourselves. Therefore, we launch our own brand to make business with the whole world. So far, EHOMA has been already the best clamp brand in Australia. We are absorbing in finding new markets as well. EHOMA roots in Taiwan, and will spread out to more and more countries.

We promise that people will never regret buying EHOMA products!

You are more than welcome to contact us for more information.

2002 : ISO 9001:2000 certificated by TÜV Rheinland.

2010 : New Patent for Cantilever C Clamp. (CTC serial)

2012 : All the EHOMA plastic handles have passed the REACH regulation (1907/2006/EC Annex XVII) by Intertek.

2013 : New Patent for Anti-slip System(ANS). It is useful for parallel jaw clamps, but all f clamps.

2014 : New patent for 2-way ratchet handle clamps.

2017 : ISO 9001:2015 certificated by SGS

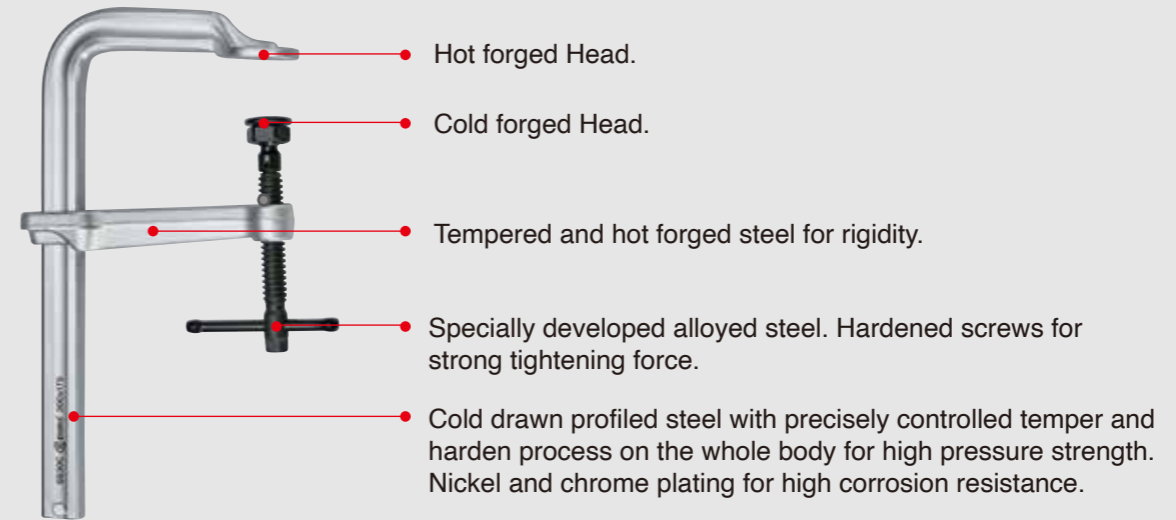
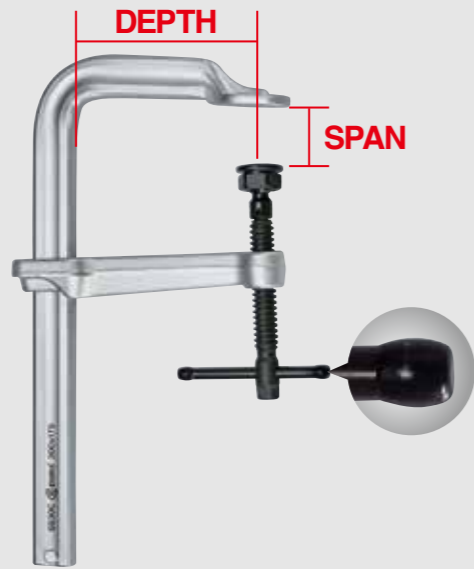
2019 : New patent for a new structure on F clamp, anti-pivot and lock mechanism for a clamp.

2020 : New patent for a new system -- swivel locking arm at the disc on the clamp.

2020 : New patent for a new camera support by clamp with ballhead design.

2023 Innovation: Special alloy material for the clamp not only reduces the net weight but keeps the same clamping pressure.





01 ELECTRONIC PRODUCT SUPPORT

Accessories P.06

Camera Expanding Bracket P.07

Cantilever C Clamp P.08
Locking Arm

02 GENERAL PURPOSE

Lightweight Clamp

Component/ Folding Handle P.12

2-Way Ratchet Handle P.14

Quick Lever / Diamond Handle P.16

Folding/ Component Handle P.17

General Pivot/ Plastic Handle P.18

General Wood/ T-Handle P.19

Deep Pivot/ Plastic Handle P.20

Deep Wood/ T-Handle P.20

Flat Bar Screw Clamp

Wood Handle / T-Handle P.21

03 WOOD WORKING

Groove P.24

Wood / Plastic / Diamond / Quick Lever Handle
Toggle Handle

Groove-Q P.27

Wood/ Plastic / Diamond Handle
With Anti-Pivot Structure

Reverse F Clamp P.28

Diamond Handle and Anti-Slip System

Parallel Jaw Clamp

Heavy Duty P.32

Plastic/ Folding Handle

Medium Duty P.33

Component/ Diamond Handle

Light Duty P.33

Plastic/ Wood Handle

Iron Screw Clamp Ductile Cast

Plastic Handle P.34

Iron Screw Clamp Ductile Cast

Wood Handle P.35

04 METAL WORKING

CTC Light P.37

Strong-Hold Multiple Pad P.38
S-C/ GS/ SS

Strong Grip P.39

Parallel Screw P.39

Cantilever C Clamp P.40

05 C TYPE

CT/BC/UC Clamp P.43

06 MULTI-FUNCTION

Deep Throat Set with Anti-Slip P.45
Multiple Pad/ Light Pad

Deep Throat Set P.46
Multiple Pad/ Light Pad

Deep Throat Part P.47
DSFAT-J/ DSFAT (-SB)

Joint Block P.48

Easy Combination P.49

07 LIMITED SPACE WORKING

Cantilever F Clamp P.51

Hurdle-Free P.52
Light Pad/ Multiple Pad/
Quick Lever

08 PARTS & ACCESSORIES

CLAMP TROLLEY P.55

PARTS & ACCESSORIES P.56~61





01 ELECTRONIC PRODUCT SUPPORT

Cantilever
Locking
Arm



Camera
Expanding
Bracket

New!!



Cantilever C clamp with locking arm can be used for horizontal laser machine, smartphone, tablet, time lapse camera, action cam, monitoring equipment... It connects all with the International common size 1/4" screw including the accessories.

Cantilever Locking Arm could be your best helper when you are working with a tablet. **It could be clamped to a rod, bar and plate.** Round object could be clamped by the inner jaw or whole jaw. The inner jaw provides 3-point clamping tightly for a small cylinder conveniently. Locking arm design could adjust the angle of view to make your working more comfortable and easier.



With Smartphone Holder



With Tablet Holder



With Extension Support

Sliding Clamp with Platform Adapter

Special Accessories

Ballhead: A mini ballhead with a quick release plate allows you to mount electronic devices quickly and the loading capacity is 3 kg.

The ballhead rotates in 360 degrees.

Can be used for camera, DSLR, time lapse camera, action cam, monitoring equipment...
It connects all with the International common size 1/4" & 3/8" (EC-B03) screw including the accessories.



EC-B03
Material: Aluminium alloy
Net Weight: 78g
Nut & Screw: 1/4" & 3/8"

EC-B05
Material: Aluminium alloy
Net Weight: 50g
Nut & Screw: 1/4"



Tablet Holder
CLA-H-12
Min. Screen Size: 5"
Minimum Width: 125mm
Max. Screen Size: 12.9"
Maximum Width: 221mm
Material: Plastic(ABS)
Nut material: Steel
Net Weight: 120g
Nut: 1/4"

Smartphone Holder
CLA-H-6
Min. Screen Size: 4"
Minimum Width: 58mm
Max. Screen Size: 6"
Maximum Width: 90mm
Material: Plastic(ABS)
Nut material: Steel
Net Weight: 28g
Nut: 1/4"



Extension Support
CLA-E-42
Extension size: 4-1/4" / 108mm
Material: Aluminium alloy, Plastic(POM)
Net Weight: 45g
Nut & Screw: 1/4"

Extension Support
CLA-E-62
Extension size: 5-5/8" / 143mm
Material: Aluminium alloy, Plastic(POM)
Net Weight: 60g



Screw Adapter
CLA-S-3
Female: 1/4"-20
Male: 3/8"-16
Material: Stainless steel
Net Weight: 2g

Screw Adapter
CLA-S-5
Female: 1/4"-20
Male: 5/8"-11
Material: Stainless steel
Net Weight: 14 g

Features

Clamping at a wall or a thickness object and providing a platform to fix the camera, time lapse camera, action cam, monitoring equipment..... are in a easy way to do it without extra tools. The clamp could be fixed for months in the certain position even in a rigorous weather or environment and provide a stable record. The platform could connect to all International common size 1/4" screw.

Ergonomically Designed:
Operating the device in safety.

Diamond Handle:
Labor-Saving :
With pivot structure, more easy to apply clamping force.

Space-Saving :
After clamping, the bending handle save much more space than traditional straight handle.

More Functions:
F clamp which operates from top of the clamp. Spreading clamp for light duty. Double clamping function clamp on one rail.



The Stopper:
Hex Socket Screws (M5)

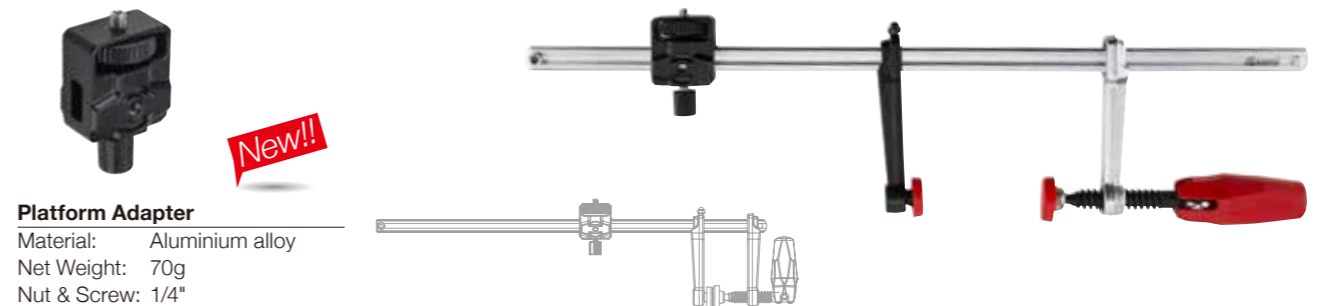
ANS System
(Anti-Slip System, Patented):
ANS system can hold the sliding arm anywhere on the rail. Prevent sliding arm from slipping away when clamping, even if shaking the clamp.



Soft Pad Attached:
Protecting the workpiece.
Material: P.P.



Top Soft Pad (ø25) Button Soft Pad (ø22)



Platform Adapter
Material: Aluminium alloy
Net Weight: 70g
Nut & Screw: 1/4"

Camera Expanding Bracket						
Item No.	SpanxDepth mm	Spreading mm	Rail mm	Weight kg	Pressure kg	Pack pcs
CEB20-8	200 x 80	145-300	16.0 x 7.5	0.72	320	10
CEB30-8	300 x 80	145-400	16.0 x 7.5	0.81	320	10
CEB40-8	400 x 80	145-500	16.0 x 7.5	0.89	320	10

Features

Cantilever C clamp with locking arm can be used for horizontal laser machine, smartphone, tablet, time lapse camera, action cam, monitoring equipment.... It connects all with the International common size 1/4" screw including the accessories.

Cantilever Locking Arm could be your best helper when you are working with a tablet. **It could be clamped to a rod, bar and plate.** Round object could be clamped by the inner jaw or whole jaw. The inner jaw provides 3-point clamping tightly for a small cylinder conveniently.

Locking arm design could adjust the angle of view to make your working more comfortable and easier.



New!!

PATENTED

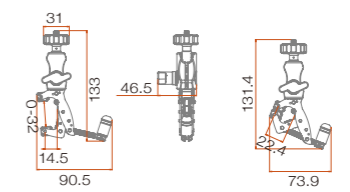
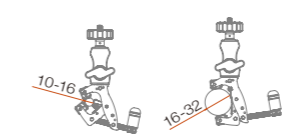
With Smartphone Holder

With Tablet Holder

With Extension Support



unit:mm



CLA-1												
	Length mm	Width mm	Thickness mm	Span A inch/mm	Depth B mm	Depth C mm	Weight kg / lbs	Pressure kg / lbs	Locking Arm Loading kg / lbs	Mount screw	Pack pcs	
Extend	133	90.5	46.5	1.25"/32	14.5	22.4	0.12	200/440	2.7 / 6	1/4"-20	50	
Storage	131.4	73.9	46.5									

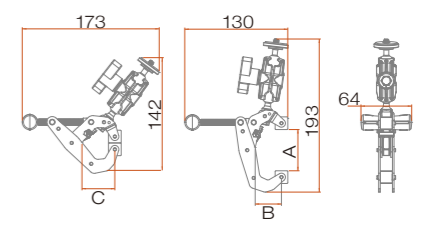
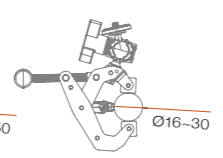
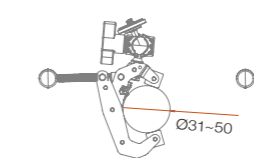
With Smartphone Holder

With Tablet Holder

With Extension Support



unit:mm



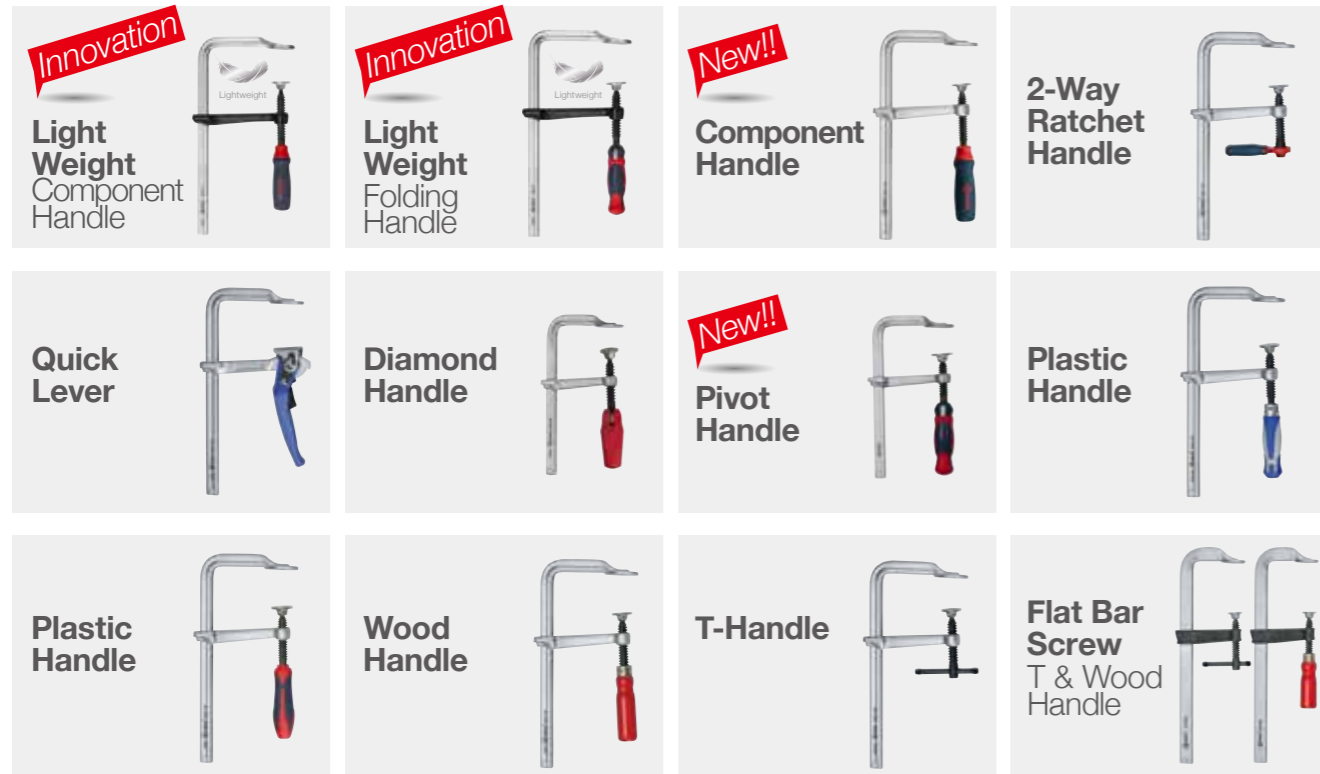
CLA-2												
	Length mm	Width mm	Thickness mm	Span A inch/mm	Depth B mm	Depth C mm	Weight kg / lbs	Pressure kg / lbs	Locking Arm Loading kg / lbs	Mount screw	Pack pcs	
Extend	193	173	64	2"/50	33	41	0.21	200/440	2.7 / 6	1/4"-20	50	
Storage	142	130	64									

ELECTRONIC PRODUCT SUPPORT

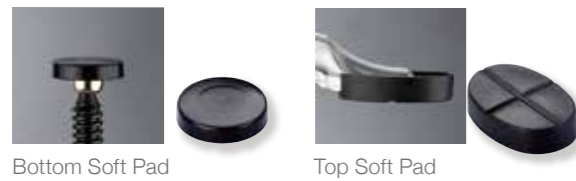


02CLAMP

GENERAL PURPOSE



The Wood handle is made of rubber tree.
The component plastic handle is made of P.P. and T.P.V. material.
The clamping pressure is measured at the span of 150mm.
Extra P.P. pads can be ordered together with the clamp or separately as accessories.



2-Way Ratchet Clamp



The Human factors engineering design can force fast, easily, and make the most of the clamp performance. It improves working efficiency, increases working quality and keep working in limited space.



Features

Keep the same clamping pressure but the weight is lighter.

Compared to the G30C clamp made of rail 25mm, the **Special Alloy** steel L30PN14 provides the same clamping force while reducing the product's weight by 30%.

More friendly and easier for users to operate.

The component handle is made of P.P. and T.P.V. material.

The clamping pressure is measured at the span of 150mm.

The PN handle can be **with logo** or **without logo**. It could be ordered by OEM branding request.

Innovation

Same Clamping Force

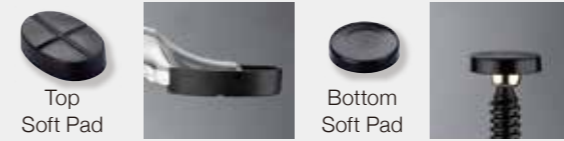
Net Weight Reducing

-30%

G30C (Rail 25mm) vs. L30PN14 (Rail 22mm)

Parts

Extra P.P. pads can be ordered together with the clamp or separately as accessories (Page 61).



Labor-Saving :

With pivot structure, more easy to apply clamping force

Space-Saving :

After clamping, the bending handle save much more space than traditional straight handle.



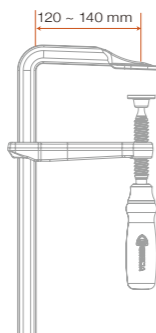
Lightweight



REDUCING CARBON FOOTPRINT



New!!



GENERAL PURPOSE STANDARD SERIES

Item NO.	Span x Depth mm	Rail mm	Weight kg	Pressure kg	Pack pcs
L25PN	250 X 120	22.0 x 10.5	1.44	750	10
L30PN12	300 X 120		1.52		
L40PN12	400 X 120		1.68		
L50PN12	500 X 120		1.84		
L60PN12	600 X 120		2.00		
L80PN12	800 X 120		2.33		
L100PN12	1000 X120	2.65	6		
L25PN14	250 X 140	22.0 x 10.5	1.55	670	10
L30PN14	300 X 140		1.63		
L40PN14	400 X 140		1.79		
L50PN14	500 X 140		1.95		
L60PN14	600 X 140		2.12		
L80PN14	800 X 140		2.44		
L100PN14	1000 X140	2.76	6		



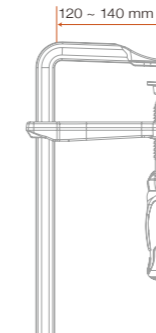
Lightweight



REDUCING CARBON FOOTPRINT



New!!



GENERAL PURPOSE STANDARD SERIES

Item NO.	Span x Depth mm	Rail mm	Weight kg	Pressure kg	Pack pcs
L25PF	250 X 120	22.0 x 10.5	1.35	750	10
L30PF12	300 X 120		1.43		
L40PF12	400 X 120		1.59		
L50PF12	500 X 120		1.75		
L60PF12	600 X 120		1.91		
L80PF12	800 X 120		2.24		
L100PF12	1000 X120	2.56	6		
L25PF14	250 X 140	22.0 x 10.5	1.46	670	10
L30PF14	300 X 140		1.54		
L40PF14	400 X 140		1.70		
L50PF14	500 X 140		1.86		
L60PF14	600 X 140		2.03		
L80PF14	800 X 140		2.35		
L100PF14	1000 X140	2.67	6		

Features

The plastic handle is made of TPR material.

The clamping pressure is measured at the span of 150mm.

Extra P.P. pads can be ordered together with the clamp or separately as accessories (Page 61).

2-Way Ratchet Clamp **PATENTED** New!!

The Human factors engineering design can force fast, easily, and make the most of the clamp performance. It improves working efficiency, increases working quality and keep working in limited space.



360°



Please find more operation video from the QR CODE.

Parts



Easy replacement step. The standard accessory is P-Pad. The V-Pad and R-Pad are optional (Page 60).

1 **2-Way Ratchet** ★★★★★

771 Kgf

Wood Handle ★★★

Only 265 Kgf

Outstanding Performance

Innovative use of patented 2-way ratchet structure + horizontal and comfortable handle.

A 2-Way Ratchet Structure

It can be repeated urging quickly to single direction. Fast clamping the workpiece is good for increasing work efficiency.

B Horizontal And Comfortable Handle

The handle with a longer torque can achieve the high clamping pressure easily, make the most of the clamp performance, and increase working quality.

2 **2-Way Ratchet** ★★★★★

T-Handle ★★★

No Limited to Working Environment or Workspace.

A traditional wood handle/T-handle clamp may be limited by the different workspace due to the handle structure. The 2-Way ratchet clamp can prevent such operation problem totally. It is much easy, fast and convenient to operate.

3 **2-Way Ratchet** ★★★★★

T-Handle ★★★

Human Factors Engineering Design

In addition, to make sure the clamping performance, EHOMA is committed to providing the users a better operating experience.

A In any environment or workspace, the user can operate the clamp by the best and most suitable way for forcing and clamping.

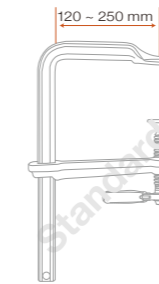
B In some workspace, you cannot operate by your handedness. 2-way ratchet clamp still provides you the best operating experience in such situation.

4 **2-Way Ratchet** ★★★★★

Lever Clamp ★★★★★

Replace The Specific Clamp

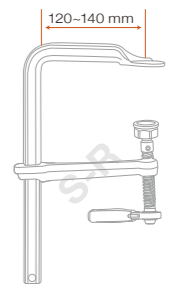
From now, you don't need to buy a specific function clamp for a rare purpose. It can fit most of your situation and decrease your tool cost.



GENERAL PURPOSE STANDARD SERIES				
Item NO.	Span x Depth mm	Rail mm	Weight kg	PressurePack kg pcs
G30R	300 X 140	25.0 x 12.0	1.98	670
SG30R	300 X 120		1.89	
SG40R	400 X 120		2.10	
SG50R	500 X 120		2.31	
SG60R	600 X 120	27.0 X 13.0	2.52	1000
SG80R	800 X 120		3.41	
SG100R	1000 X 120		3.89	
SG125R	1250 X 120		4.52	
SG150R	1500 X 120	30.0 x 15.0	5.04	1200
GSE25R	250 X 120		2.63	
GSE30R	300 X 120		2.84	
GSE40R	400 X 120		3.19	
GSE50R	500 X 120		3.41	
GSE60R	600 X 120		3.88	
GSE80R	800 X 120		4.38	
GSE100R	1000 X 120		4.99	
GSE125R	1250 X 120		5.78	
GSE150R	1500 X 120		6.58	

GENERAL PURPOSE DEEP SERIES						
Item NO.	Span x Depth mm	Rail mm	Weight kg	PressurePack kg pcs		
G40R	400 X 175	27.0 x 13.0	2.71	700		
G60R	600 X 175		3.20			
G80R	800 X 175		3.69			
G100R	1000 X 175		4.17			
SD30T20R	300 X 200	30.0 x 15.0	3.08	800		
SD40T20R	400 X 200		3.39			
SD50T20R	500 X 200		3.66			
SD60T20R	600 X 200		3.99			
SD80T20R	800 X 200		4.91			
SD100T20R	1000 X 200		5.23			
SD40T25R	400 X 250		30.0 x 15.0		3.66	700
SD50T25R	500 X 250				4.21	
SD60T25R	600 X 250				4.51	
SD80T25R	800 X 250				5.11	
SD100T25R	1000 X 250	5.81				

Metal Working Clamp Ratchet Handle



METAL WORKING S-R SERIES				
Item NO.	Span x Depth mm	Rail mm	Weight kg	PressurePack kg pcs
S30R	300 x 140	25.0 X 12.0	2.11	670
S40R	400 X 120		2.22	
S50R	500 X 120		2.44	
S60R	600 X 120		2.64	
S20R12	200 X 120	27.0 X 13.0	2.11	1000
S25R12	250 X 120		2.23	
S30R12	300 X 120		2.35	
S40R12	400 X 120		2.60	
S50R12	500 X 120	30.0 x 15.0	2.85	1200
S60R12	600 X 120		3.10	
GS25R	250 X 120		2.87	
GS30R	300 X 140		3.07	
GS40R	400 X 120	30.0 x 15.0	3.31	6
GS50R	500 X 140		3.77	
GS60R	600 X 120		3.98	
GS80R	800 X 140		4.73	
GS100R	1000 X 120		5.26	
GS125R	1250 X 120		6.05	
GS150R	1500 X 120		6.76	

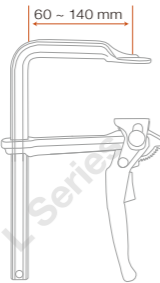
Features

For high pressure, fast action clamping purpose.
Ratchet type lever prevents overloading and resists vibration.
The clamping pressure is measured at the span of 150mm.

Parts



GENERAL PURPOSE QUICK LEVER SERIES					
Item NO.	Span x Depth mm	Rail mm	Weight kg	Pressure kg	Pack pcs
G12L	120 X 60	13.5 X 6.5	0.53	160	10
G16L	160 X 80	16.0 X 7.5	0.67	300	10
G20L8	200 X 80		0.70		
G30L8	300 X 80		0.83		
G40L8	400 X 80		0.92		
G20L	200 X 100		1.13		
G30L10	300 X 100	19.5 X 9.5	1.25	350	10
G50L10	500 X 100	22.0 X 10.5	1.50	400	10
G25L	250 X 120		1.50		
G30L12	300 X 120		1.58		
G40L12	400 X 120		1.76		
G50L12	500 X 120		1.90		
G60L12	600 X 120	2.07	500	10	
G30L	300 X 140	2.26			
G40L14	400 X 140	2.50			
G50L14	500 X 140	2.72			
G60L14	600 X 140	2.92			
G40L	400 X 120	25.0 X 12.0	2.40	550	10
G50L	500 X 120	2.62			
G60L	600 X 120	2.83			
G80L	800 X 120	3.64			
G100L	1000 X 120	4.22			



General Purpose Clamp Diamond Handle

Features

Diamond Handle:
Labor-Saving :
With pivot structure, more easy to apply clamping force
Space-Saving :
After clamping, the bending handle save much more space than traditional straight handle.

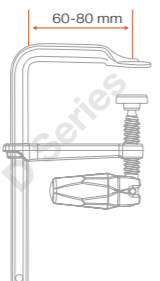
Parts



GENERAL PURPOSE STANDARD SERIES					
Item NO.	Span x Depth mm	Rail mm	Weight kg	Pressure kg	Pack pcs
G12D	120 X 60	13.5 X 6.5	0.30	270	10
G20D6	200 X 60		0.35		
G30D6	300 X 60		0.41		
G16D	160 X 80	16.0 X 7.5	0.54	300	10
G20D8	200 X 80		0.57		
G30D8	300 X 80		0.66		

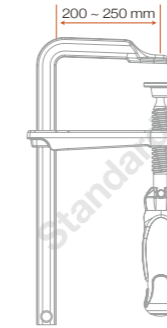
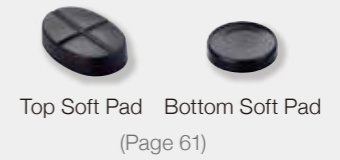


New!!

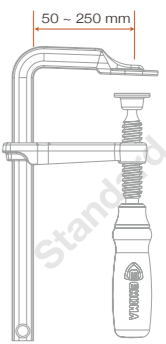


Features

The component plastic handle is made of P.P. and T.P.V. material.
The PN handle can be **with logo** or **without logo**.
It could be ordered by OEM branding request.
The clamping pressure is measured at the span of 150mm.



New!!



More Power

Labor-Saving :
With pivot structure, more easy to apply clamping force
Space-Saving :
After clamping, the bending handle save much more space than traditional straight handle.

GENERAL PURPOSE FOLDING SERIES								
Item NO.	Span x Depth mm	Rail mm	Weight kg	Pressure kg	Pack pcs			
G20PF	200 X 100	19.5 X 9.5	0.95	450	10			
G30PF10	300 X 100		1.07					
G50PF10	500 X 100		1.33					
G25PF	250 X 120		1.30					
G30PF12	300 X 120		1.38					
G40PF12	400 X 120	22.0 X 10.5	1.54	550	10			
G50PF12	500 X 120		1.70					
G60PF12	600 X 120		1.86					
G80PF12	800 X 120		2.20					
G100PF12	1000 X 120		2.64					
G30PF	300 X 140	25.0 X 12.0	1.84	670	10			
SG30PF	300 X 120	25.0 X 12.0	1.80	750	10			
SG40PF	400 X 120		1.99					
SG50PF	500 X 120		2.20					
SG60PF	600 X 120		2.41					
SG80PF	800 X 120		3.29					
SG100PF	1000 X 120	27.0 X 13.0	3.77	1000	6			
SG125PF	1250 X 120		4.37					
SG150PF	1500 X 120		5.00					
G40PF	400 X 175		27.0 X 13.0			2.50	700	10
G60PF	600 X 175					2.99		
G80PF	800 X 175	3.48						
G100PF	1000 X 175	3.96						
PFD30T20	300 X 200	30.0 X 15.0		3.06	800	6		
PFD40T20	400 X 200		3.38					
PFD50T20	500 X 200		3.70					
PFD60T20	600 X 200		4.02					
PFD80T20	800 X 200		4.65					
PFD100T20	1000 X 200	30.0 X 15.0	5.28	700	4			
PFD40T25	400 X 250		3.61					
PFD50T25	500 X 250		3.92					
PFD60T25	600 X 250		4.24					
PFD80T25	800 X 250		4.87					
PFD100T25	1000 X 250	5.51						

GENERAL PURPOSE STANDARD/DEEP SERIES								
Item NO.	Span x Depth mm	Rail mm	Weight kg	Pressure kg	Pack pcs			
G10PN	100 X 50	11.5 X 5.7	0.18	220	10			
G20PN5	200 X 50		0.22					
G30PN5	300 X 50		0.27					
G12PN	120 X 60	13.5 X 6.5	0.30	270	10			
G20PN6	200 X 60		0.35					
G30PN6	300 X 60		0.41					
G16PN	160 X 80	16.0 X 7.5	0.50	300	10			
G20PN8	200 X 80		0.54					
G30PN8	300 X 80		0.63					
G40PN8	400 X 80		0.70					
G20PN	200 X 100		19.5 X 9.5			0.88	450	10
G30PN10	300 X 100	1.00						
G50PN10	500 X 100	1.26						
G25PN	250 X 120	22.0 X 10.5	1.23	550	10			
G30PN12	300 X 120		1.31					
G40PN12	400 X 120		1.47					
G50PN12	500 X 120		1.63					
G60PN12	600 X 120		1.79					
G80PN12	800 X 120	25.0 X 12.0	2.13	670	10			
G100PN12	1000 X 120		2.57					
G30PN	300 X 140		1.85					
SG30PN	300 X 120	25.0 X 12.0	1.78	750	10			
SG40PN	400 X 120		1.97					
SG50PN	500 X 120		2.18					
SG60PN	600 X 120		2.39					
SG80PN	800 X 120		3.27					
SG100PN	1000 X 120	27.0 X 13.0	3.75	1000	6			
SG125PN	1250 X 120		4.35					
SG150PN	1500 X 120		4.98					
G40PN	400 X 175		27.0 X 13.0			2.57	700	10
G60PN	600 X 175					3.06		
G80PN	800 X 175	3.55						
G100PN	1000 X 175	4.03						
PND30T20	300 X 200	30.0 X 15.0		3.06	800	6		
PND40T20	400 X 200		3.38					
PND50T20	500 X 200		3.70					
PND60T20	600 X 200		4.02					
PND80T20	800 X 200		4.65					
PND100T20	1000 X 200	30.0 X 15.0	5.28	700	4			
PND40T25	400 X 250		3.61					
PND50T25	500 X 250		3.92					
PND60T25	600 X 250		4.24					
PND80T25	800 X 250		4.87					
PND100T25	1000 X 250	5.51						

Features

The Wood handle is made of rubber tree.

The component plastic handle is made of P.P. and T.P.V. material.

The clamping pressure is measured at the span of 150mm.

Extra P.P. pads can be ordered together with the clamp or separately as accessories (Page 61).

- P.P. Pads are not compatible with GSE20~GSE150.

Parts



More Power and easy use



GENERAL PURPOSE STANDARD SERIES

Item NO.	Span x Depth mm	Rail mm	Weight kg	Pressure kg	Pack pcs		
REG16C	160 x 80	16.0 X 7.5	0.59	300	10		
REG20C8	200 x 80		0.62				
REG30C8	300 x 80		0.71				
REG40C8	400 x 80		0.79				
REG20C	200 x 100	19.5 X 9.5	0.98	450	10		
REG30C10	300 x 100		1.10				
REG50C10	500 x 100		1.36				
REG25C	250 x 120		1.33				
REG30C12	300 x 120	22.0 X 10.5	1.41	550	10		
REG40C12	400 x 120		1.57				
REG50C12	500 x 120		1.74				
REG60C12	600 x 120		1.90				
REG80C12	800 x 120	25.0 X 12.0	2.23	670	10		
REG100C12	1000 x 120		2.55				
REG30C	300 x 140		1.98				
REG40C	400 x 120		1.91				
REG50C	500 x 120	25.0 X 12.0	2.04	750	10		
REG60C	600 x 120		2.25				
REG80C	800 x 120		2.46				
REG100C	1000 x 120		3.40				
REG125C	1250 x 120	27.0 X 13.0	3.88	1000	6		
REG150C	1500 x 120		5.11				
REG40C	400 x 175		2.70			700	6
REG60C	600 x 175		3.19				
REG80C	800 x 175	3.68					
REG100C	1000 x 175	4.17					

GENERAL PURPOSE STANDARD SERIES

Item NO.	Span x Depth mm	Rail mm	Weight kg	Pressure kg	Pack pcs
G10P	100 X 50	11.5 X 5.7	0.18	220	10
G20P5	200 X 50		0.22		
G30P5	300 X 50		0.27		
G12P	120 X 60	13.5 X 6.5	0.30	270	10
G20P6	200 X 60		0.35		
G30P6	300 X 60		0.41		
G16P	160 X 80	16.0 X 7.5	0.50	300	10
G20P8	200 X 80		0.54		
G30P8	300 X 80		0.63		
G40P8	400 X 80		0.70		
G20P	200 X 100	19.5 X 9.5	0.88	450	10
G30P10	300 X 100		1.00		
G50P10	500 X 100		1.26		
G25P	250 X 120		1.23		
G30P12	300 X 120	22.0 X 10.5	1.31	550	10
G40P12	400 X 120		1.47		
G50P12	500 X 120		1.63		
G60P12	600 X 120		1.79		
G80P12	800 X 120	25.0 X 12.0	2.13	670	10
G100P12	1000 X 120		2.57		
G30P	300 X 140		1.85		
SG30P	300 X 120		1.78		
SG40P	400 X 120	25.0 X 12.0	1.97	750	10
SG50P	500 X 120		2.18		
SG60P	600 X 120		2.39		
SG80P	800 X 120		3.27		
SG100P	1000 X 120	27.0 X 13.0	3.75	1000	6
SG125P	1250 X 120		4.35		
SG150P	1500 X 120		4.98		
G40P	400 X 175		2.57		
G60P	600 X 175	3.06			
G80P	800 X 175	3.55			
G100P	1000 X 175	4.03			

GENERAL PURPOSE STANDARD SERIES

Item NO.	Span x Depth mm	Rail mm	Weight kg	Pressure kg	Pack pcs
G10C	100 X 50	11.5 X 5.7	0.18	220	10
G20C5	200 X 50		0.22		
G30C5	300 X 50		0.27		
G12C	120 X 60	13.5 X 6.5	0.30	270	10
G20C6	200 X 60		0.35		
G30C6	300 X 60		0.41		
G16C	160 X 80	16.0 X 7.5	0.50	300	10
G20C8	200 X 80		0.54		
G30C8	300 X 80		0.63		
G40C8	400 X 80		0.70		
G20C	200 X 100	19.5 X 9.5	0.88	450	10
G30C10	300 X 100		1.00		
G50C10	500 X 100		1.26		
G25C	250 X 120		1.23		
G30C12	300 X 120	22.0 X 10.5	1.31	550	10
G40C12	400 X 120		1.47		
G50C12	500 X 120		1.63		
G60C12	600 X 120		1.79		
G80C12	800 X 120	25.0 X 12.0	2.13	670	10
G100C12	1000 X 120		2.57		
G30C	300 X 140		1.85		
SG30C	300 X 120		1.78		
SG40C	400 X 120	25.0 X 12.0	1.97	750	10
SG50C	500 X 120		2.18		
SG60C	600 X 120		2.39		
SG80C	800 X 120		3.27		
SG100C	1000 X 120	27.0 X 13.0	3.75	1000	6
SG125C	1250 X 120		4.35		
SG150C	1500 X 120		4.98		
G40C	400 X 175		2.57		
G60C	600 X 175	3.06			
G80C	800 X 175	3.55			
G100C	1000 X 175	4.03			

GENERAL PURPOSE STANDARD SERIES

Item NO.	Span x Depth mm	Rail mm	Weight kg	Pressure kg	Pack pcs
G10CS	100 X 50	11.5 X 5.7	0.19	220	10
G20CS5	200 X 50		0.23		
G30CS5	300 X 50		0.28		
G12CS	120 X 60	13.5 X 6.5	0.28	270	10
G20CS6	200 X 60		0.33		
G30CS6	300 X 60		0.40		
G16CS	160 X 80	16.0 X 7.5	0.50	300	10
G20CS8	200 X 80		0.53		
G30CS8	300 X 80		0.62		
G40CS8	400 X 80		0.70		
G20CS	200 X 100	19.5 X 9.5	0.88	450	10
G30CS10	300 X 100		1.00		
G50CS10	500 X 100		1.26		
G25CS	250 X 120		1.23		
G30CS12	300 X 120	22.0 X 10.5	1.32	550	10
G40CS12	400 X 120		1.48		
G50CS12	500 X 120		1.65		
G60CS12	600 X 120		1.80		
G80CS12	800 X 120	25.0 X 12.0	2.13	670	10
G100CS12	1000 X 120		2.45		
G30CS	300 X 140		1.85		
SG30CS	300 X 120		1.76		
SG40CS	400 X 120	25.0 X 12.0	1.97	750	10
SG50CS	500 X 120		2.18		
SG60CS	600 X 120		2.39		
SG80CS	800 X 120		3.27		
SG100CS	1000 X 120	27.0 X 13.0	3.75	1000	6
SG125CS	1250 X 120		4.38		
SG150CS	1500 X 120		4.90		
GSE20	200 X 120		2.30		
GSE25	250 X 120	2.52			
GSE30	300 X 120	2.73			
GSE40	400 X 120	3.08			
GSE50	500 X 120	30.0 X 15.0	3.30	700	6
GSE60	600 X 120		3.77		
GSE80	800 X 120		4.27		
GSE100	1000 X 120		4.88		
GSE125	1250 X 120	27.0 X 13.0	5.67	700	6
GSE150	1500 X 120		6.47		
G40CS	400 X 175		2.57		
G60CS	600 X 175		3.06		
G80CS	800 X 175	27.0 X 13.0	3.55	700	6
G100CS	1000 X 175		4.03		



Features

The Wood handle is made of rubber tree.
 The component plastic handle is made of P.P. and T.P.V. material.
 The clamping pressure is measured at the span of 150mm.

GENERAL PURPOSE DEEP SERIES

Item NO.	Span x Depth mm	Rail mm	Weight kg	Pressure kg	Pack pcs
RD30T20	300 x 200	30.0 X 15.0	3.21	800	6
RD40T20	400 x 200		3.53		
RD50T20	500 x 200		3.85		
RD60T20	600 x 200		4.15		
RD80T20	800 x 200		4.78		
RD100T20	1000 x 200	5.41	700	4	
RD40T25	400 x 250	3.76			
RD50T25	500 x 250	4.07			
RD60T25	600 x 250	4.39			
RD80T25	800 x 250	5.02			
RD100T25	1000 x 250	5.66	4		

GENERAL PURPOSE DEEP SERIES

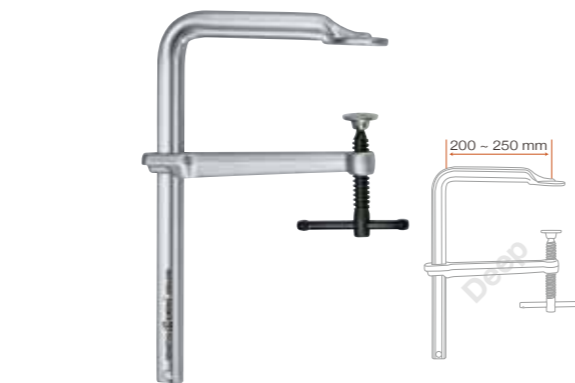
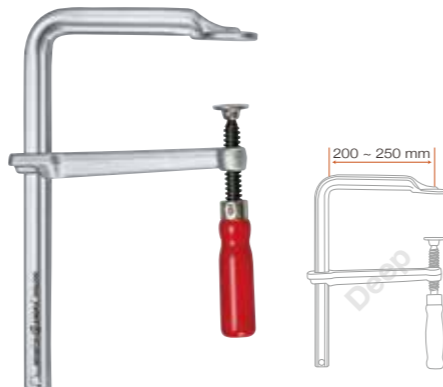
Item NO.	Span x Depth mm	Rail mm	Weight kg	Pressure kg	Pack pcs
PD30T20	300 X 200	30.0 X 15.0	3.06	800	6
PD40T20	400 X 200		3.38		
PD50T20	500 X 200		3.70		
PD60T20	600 X 200		4.02		
PD80T20	800 X 200		4.65		
PD100T20	1000 X 200	5.28	700	4	
PD40T25	400 X 250	3.61			
PD50T25	500 X 250	3.92			
PD60T25	600 X 250	4.24			
PD80T25	800 X 250	4.87			
PD100T25	1000 X 250	5.51	4		

GENERAL PURPOSE DEEP SERIES

Item NO.	Span x Depth mm	Rail mm	Weight kg	Pressure kg	Pack pcs
WD30T20	300 X 200	30.0 X 15.0	3.06	800	6
WD40T20	400 X 200		3.38		
WD50T20	500 X 200		3.70		
WD60T20	600 X 200		4.02		
WD80T20	800 X 200		4.65		
WD100T20	1000 X 200	5.28	700	4	
WD40T25	400 X 250	3.61			
WD50T25	500 X 250	3.92			
WD60T25	600 X 250	4.24			
WD80T25	800 X 250	4.87			
WD100T25	1000 X 250	5.51	4		

GENERAL PURPOSE DEEP SERIES

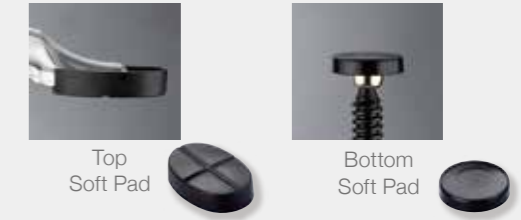
Item NO.	Span x Depth mm	Rail mm	Weight kg	Pressure kg	Pack pcs
SD30T20	300 X 200	30.0 X 15.0	2.97	800	6
SD40T20	400 X 200		3.28		
SD50T20	500 X 200		3.60		
SD60T20	600 X 200		3.92		
SD80T20	800 X 200		4.56		
SD100T20	1000 X 200	5.20	700	4	
SD40T25	400 X 250	3.55			
SD50T25	500 X 250	3.87			
SD60T25	600 X 250	4.19			
SD80T25	800 X 250	4.82			
SD100T25	1000 X 250	5.46	4		



Features

Steel material enhances ultimate tension. It is a well-designed and practical tool with sliding arm made of nodular graphite cast iron.
 The clamping pressure is measured at the span of 150mm.
 Extra P.P. pads can be ordered together with the clamp or separately as accessories (Page 61).

Parts



STANDARD/ DEEP SERIES

Item NO.	Span x Depth mm	Rail mm	Weight kg	Pressure kg	Pack pcs			
WA1016	160 X 80	25.0 X 6.0	0.71	330	10			
WA1020	200 X 80		0.76					
WA1025	250 X 80		0.82					
WA1030	300 X 80		0.87					
WA1040	400 X 80		0.99					
WA1050	500 X 80		1.10					
WA1060	600 X 80		1.23					
WB2020	200 X 100		30.0 X 8.0			1.19	400	10
WB2025	250 X 100					1.33		
WB2030	300 X 100					1.37		
WB2040	400 X 100	1.55						
WB2050	500 X 100	1.72						
WB2060	600 X 100	1.89						
WB2080	800 X 100	2.28						
WB3030	300 X 120	30.0 X 8.0		1.58	360	10		
WB3040	400 X 120			1.70				
WB3040	400 X 120			1.70				
WB3050	500 X 120		1.94					
WB3060	600 X 120		2.12					
WB3080	800 X 120		2.48					
WB3100	1000 X 120		2.84					
WC3040	400 X 120		35.0 X 9.0	2.29			450	10
WC3050	500 X 120			2.39				
WC3060	600 X 120			2.76				
WC3080	800 X 120	3.24						
WC3100	1000 X 120	3.64						
WC3120	1200 X 120	4.18						
WC3150	1500 X 120	4.78						
WC4030	300 X 140	35.0 X 9.0		2.15	360	10		
WC5040	400 X 175			2.56				
WC5050	500 X 175			2.80				
WC5060	600 X 175		3.03					
WC5080	800 X 175		3.50					
WD6030	300 X 200		35.0 X 11.0	2.80			420	5
WD6040	400 X 200			3.10				
WD6050	500 X 200			3.40				
WD6060	600 X 200			3.60				
WD6080	800 X 200			4.20				
WD7040	400 X 250	35.0 X 11.0		3.30	360	5		
WD7050	500 X 250			3.60				
WD7060	600 X 250			3.96				
WD7080	800 X 250			4.50				
WD7100	1000 X 250			5.00				

STANDARD/ DEEP SERIES

Item NO.	Span x Depth mm	Rail mm	Weight kg	Pressure kg	Pack pcs			
FA1016	160 X 80	25.0 X 6.0	0.71	330	10			
FA1020	200 X 80		0.76					
FA1025	250 X 80		0.82					
FA1030	300 X 80		0.87					
FA1040	400 X 80		0.99					
FA1050	500 X 80		1.10					
FA1060	600 X 80		1.23					
FB2020	200 X 100		30.0 X 8.0			1.19	400	10
FB2025	250 X 100					1.33		
FB2030	300 X 100					1.37		
FB2040	400 X 100	1.55						
FB2050	500 X 100	1.72						
FB2060	600 X 100	1.89						
FB2080	800 X 100	2.28						
FB3030	300 X 120	30.0 X 8.0		1.58	360	10		
FB3040	400 X 120			1.70				
FB3040	400 X 120			1.70				
FB3050	500 X 120		1.94					
FB3060	600 X 120		2.12					
FB3080	800 X 120		2.48					
FB3100	1000 X 120		2.84					
FC3040	400 X 120		35.0 X 9.0	2.29			450	10
FC3050	500 X 120			2.39				
FC3060	600 X 120			2.76				
FC3080	800 X 120	3.24						
FC3100	1000 X 120	3.64						
FC3120	1200 X 120	4.18						
FC3150	1500 X 120	4.78						
FC4030	300 X 140	35.0 X 9.0		2.15	360	10		
FC5040	400 X 175			2.56				
FC5050	500 X 175			2.80				
FC5060	600 X 175		3.03					
FC5080	800 X 175		3.50					
FD6030	300 X 200		35.0 X 11.0	2.80			420	5
FD6040	400 X 200			3.10				
FD6050	500 X 200			3.40				
FD6060	600 X 200			3.60				
FD6080	800 X 200			4.20				
FD7040	400 X 250	35.0 X 11.0		3.30	360	5		
FD7050	500 X 250			3.60				
FD7060	600 X 250			3.96				
FD7080	800 X 250			4.50				
FD7100	1000 X 250			5.00				



03CLAMP

WOOD WORKING

New!!

Groove & Groove-Q
Component Handle
PATENTED
Groove-Q With Anti-Pivot Structure

New!!

Groove Toggle Handle

Groove
Plastic/ Wood
Diamond Handle
and Quick Lever

Groove-Q
Plastic/ Wood
Diamond Handle
With Anti-Pivot Structure
PATENTED **New!!**

Reverse F Clamp
Diamond Handle

Parallel Jaw Clamp Heavy Duty
Wood/ Plastic/
Folding Handle

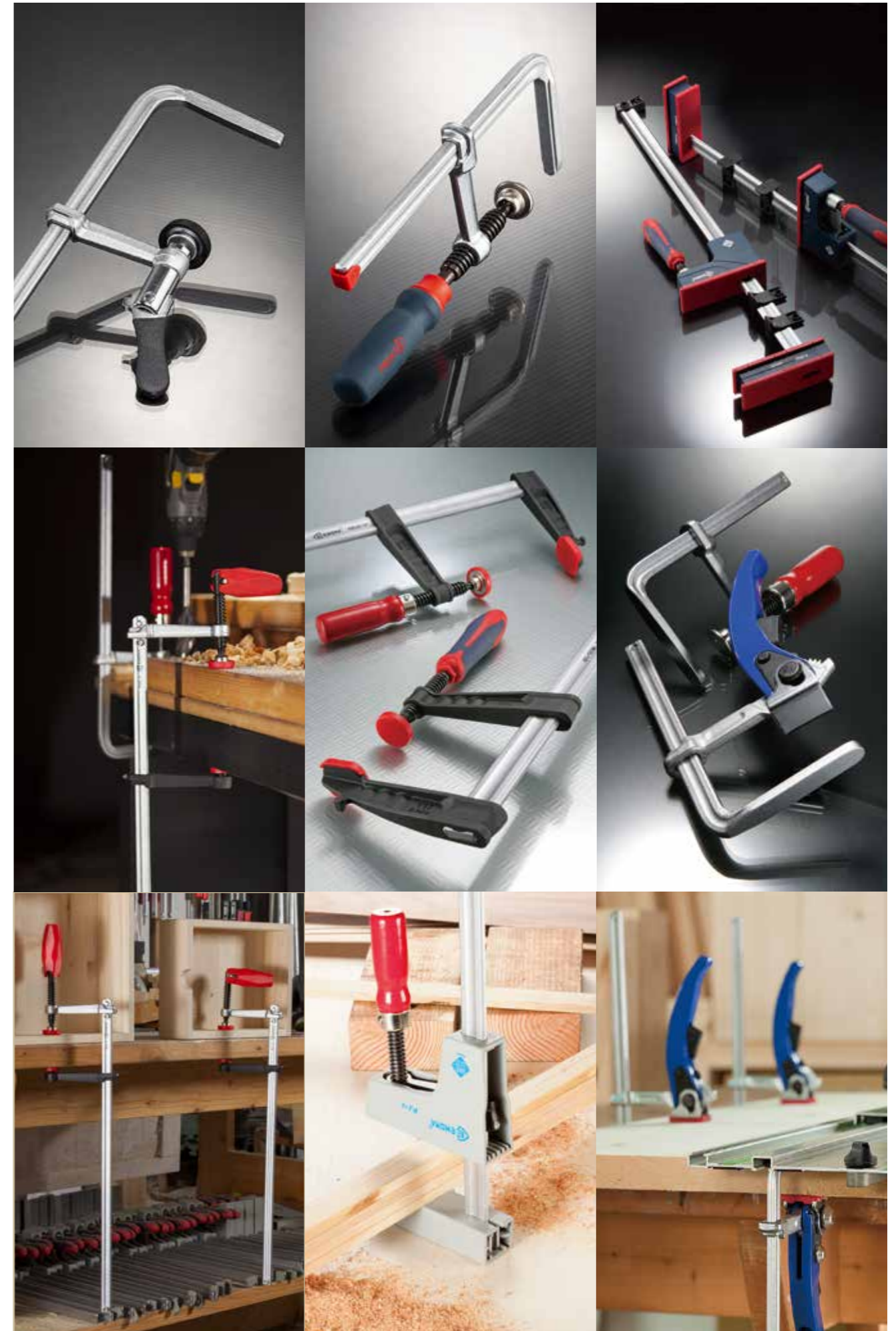
Ductile Cast Iron Screw Clamp
Plastic Handle

Ductile Cast Iron Screw Clamp
Wood Handle

N series is the most economical choice.
P.P. Pad is attached with standard N series clamp.
The Anti-Slip System (ANS) is working on all parallel jaw clamps.
Ductile cast iron arm for N series and PJ series.
Medium carbon steel forging arm for PJH series.

New! Stopper

New! Handle **New! More Power** **Soft Pad** **Top Soft Pad** **Bottom Soft Pad** **PJ Stopper** **PJH Stopper** **Platform**



Features

The Clamp for groove or track has small and flat head. It can insert or pass through a 12x8mm groove/ track.

The handle can be **with logo** or **without logo**.

Extra p.p.pads can be ordered for protecting the workpiece (Page 61).

New optional accessory, P.P. Stopper could be taken off and replace it easily.

Parts



Soft Pad



P.P. Stopper (Optional)

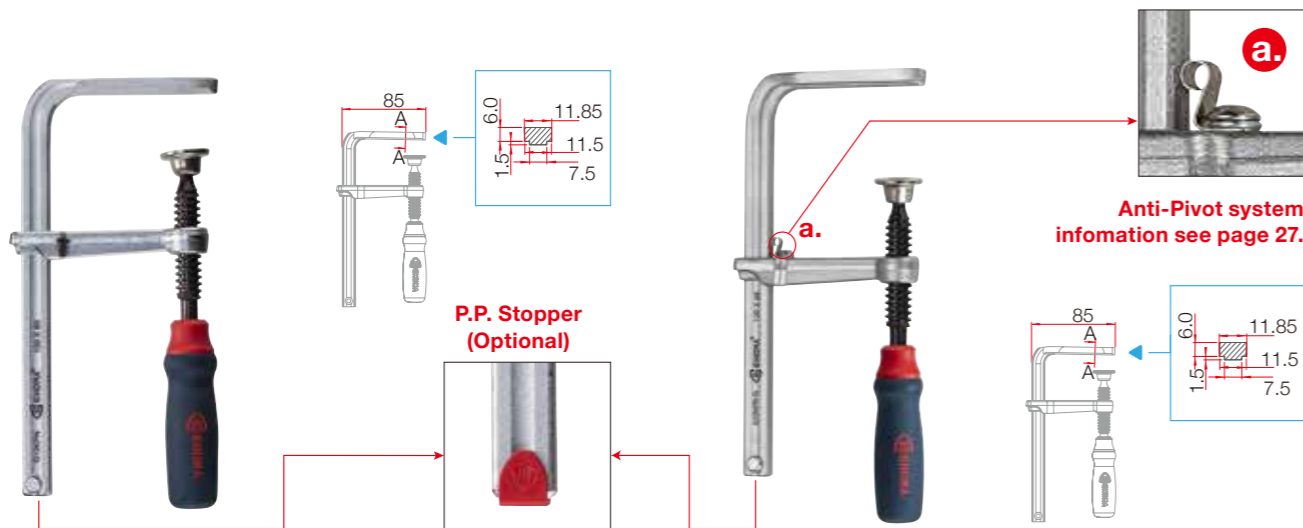


Features

Customized frame head.

The Clamp can provide clamping pressure constantly at 90kgf or customized.

Quick release and tighten with toggle handle in one second.



• Cross-sectional view A-A Proportion 1 : 1

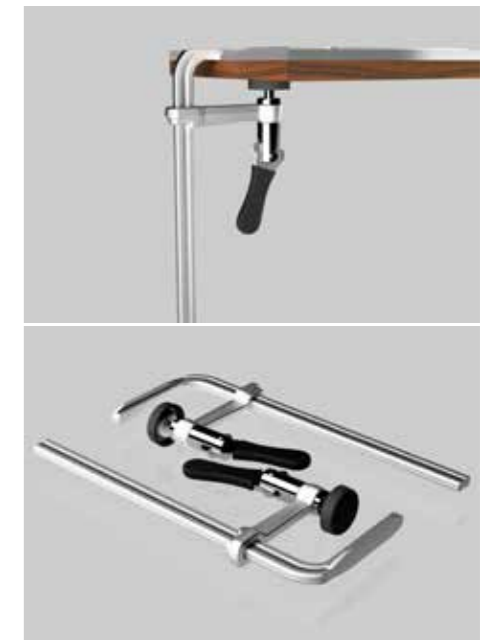
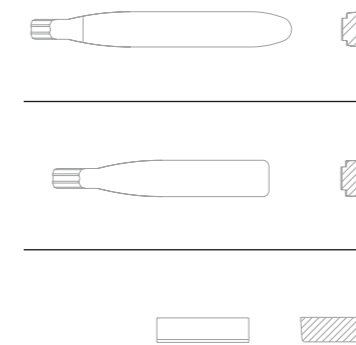
• Cross-sectional view A-A Proportion 1 : 1

GROOVE CLAMP COMPONENT HANDLE				
Item NO.	Span x Depth mm	Rail mm	Weight kg	Pack pcs
G12KPN	120 x 60	13.5 X 6.5	0.33	20
G16KPN	160 x 60		0.36	
G20KPN	200 x 60		0.38	
G30KPN	300 x 60		0.43	10

GROOVE CLAMP COMPONENT HANDLE				
Item NO.	Span x Depth mm	Rail mm	Weight kg	Pack pcs
G12KPN-Q	120 x 60	13.5 X 6.5	0.33	20
G16KPN-Q	160 x 60		0.36	
G20KPN-Q	200 x 60		0.38	
G30KPN-Q	300 x 60		0.43	10



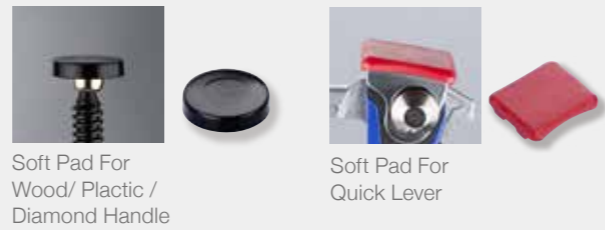
Frame Head Can be customized



Features

The Clamp for groove has small and flat head. It can insert or pass through a 12x8mm groove.
Extra p.p.pads can be ordered for protecting the workpiece (Page 61).

Parts



Soft Pad For Wood/Plastic/Diamond Handle

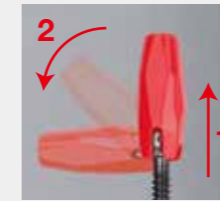
Soft Pad For Quick Lever



Features

Diamond Handle:

Labor-Saving :
With pivot structure, more easy to apply clamping force.
Space-Saving :
After clamping, the bending handle save much more space than traditional straight handle.



Soft Pad Attached:

Protecting the workpiece.
Material: P.P.



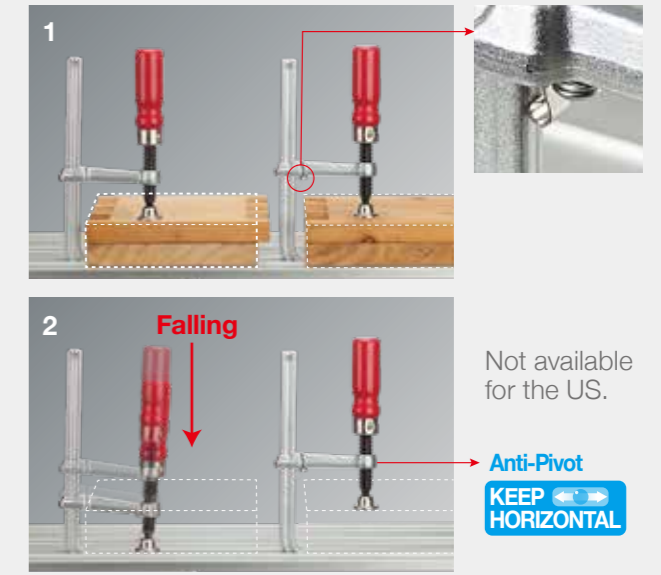
Top Soft Pad (ø25)

a.

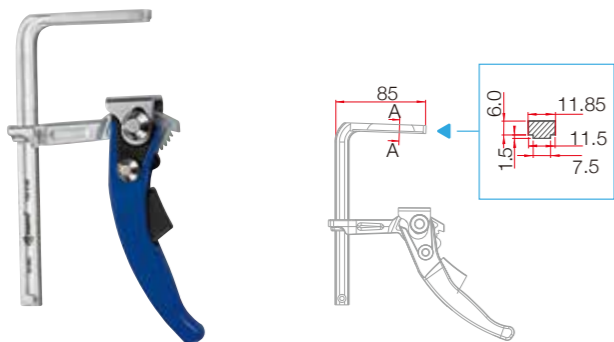
Anti-Pivot System **PATENTED**

New!!

This system can hold the sliding arm anywhere on the rail and it also Anti-Pivot the arm during working. Prevent sliding arm from slipping away and changing the distance when clamping, even moving away the workpiece.



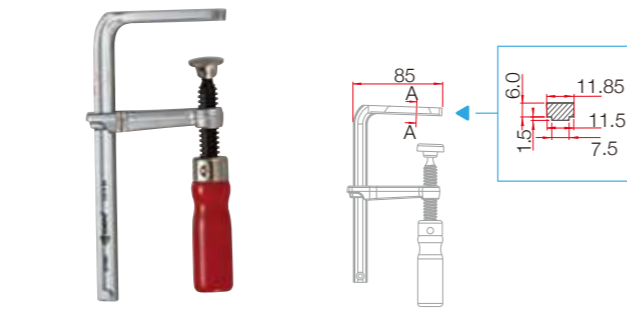
Not available for the US.



• Cross-sectional viewA-A Proportion 1 : 1

GROOVE CLAMP QUICK LEVER

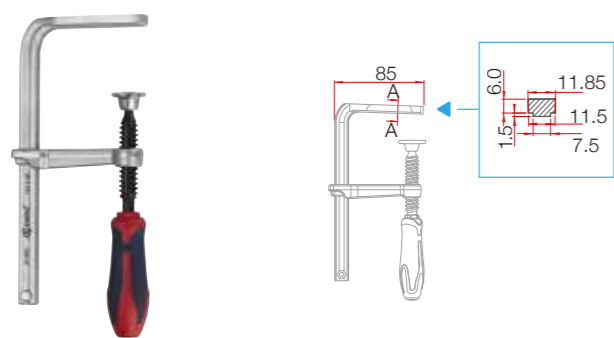
Item NO.	Span x Depth mm	Rail mm	Weight kg	Pack pcs
G12KL	120 x 60	13.5 X 6.5	0.50	20
G16KL	160 x 60		0.53	
G20KL	200 x 60		0.55	10
G30KL	300 x 60		0.60	



• Cross-sectional viewA-A Proportion 1 : 1

GROOVE CLAMP WOOD HANDLE

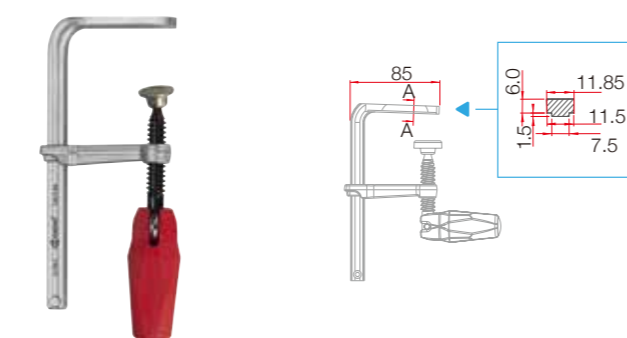
Item NO.	Span x Depth mm	Rail mm	Weight kg	Pack pcs
G12KC	120 x 60	13.5 X 6.5	0.30	20
G16KC	160 x 60		0.33	
G20KC	200 x 60		0.35	10
G30KC	300 x 60		0.40	



• Cross-sectional viewA-A Proportion 1 : 1

GROOVE CLAMP PLASTIC HANDLE

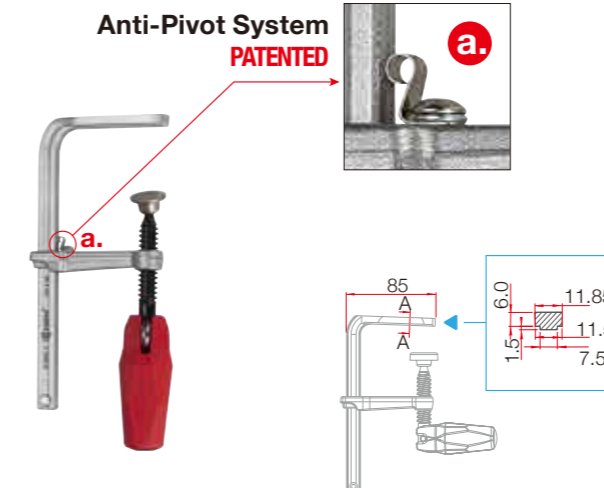
Item NO.	Span x Depth mm	Rail mm	Weight kg	Pack pcs
G12KP	120 x 60	13.5 X 6.5	0.33	20
G16KP	160 x 60		0.36	
G20KP	200 x 60		0.38	10
G30KP	300 x 60		0.43	



• Cross-sectional viewA-A Proportion 1 : 1

GROOVE CLAMP DIAMOND HANDLE

Item NO.	Span x Depth mm	Rail mm	Weight kg	Pack pcs
G12KD	120 x 60	13.5 X 6.5	0.40	20
G16KD	160 x 60		0.43	
G20KD	200 x 60		0.45	10
G30KD	300 x 60		0.50	



• Cross-sectional viewA-A Proportion 1 : 1

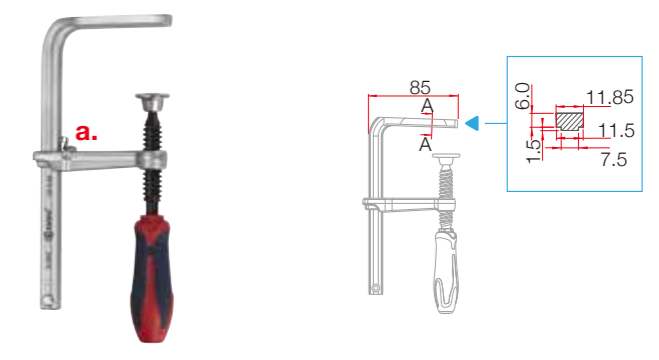
GROOVE-Q CLAMP WOOD HANDLE

Item NO.	Span x Depth mm	Rail mm	Weight kg	Pack pcs
G12KC-Q	120 x 60	13.5 X 6.5	0.30	20
G16KC-Q	160 x 60		0.33	
G20KC-Q	200 x 60		0.35	10
G30KC-Q	300 x 60		0.40	

• Cross-sectional viewA-A Proportion 1 : 1

GROOVE-Q CLAMP DIAMOND HANDLE

Item NO.	Span x Depth mm	Rail mm	Weight kg	Pack pcs
G12KD-Q	120 x 60	13.5 X 6.5	0.40	20
G16KD-Q	160 x 60		0.43	
G20KD-Q	200 x 60		0.45	10
G30KD-Q	300 x 60		0.50	



• Cross-sectional viewA-A Proportion 1 : 1

GROOVE-Q CLAMP PLASTIC HANDLE

Item NO.	Span x Depth mm	Rail mm	Weight kg	Pack pcs
G12KP-Q	120 x 60	13.5 X 6.5	0.33	20
G16KP-Q	160 x 60		0.36	
G20KP-Q	200 x 60		0.39	10
G30KP-Q	300 x 60		0.43	

Features

Ergonomically Designed:

Operating a clamp above the workpiece is more ergonomic than under it.

Industrial safety:

Keep the rail out of the working area to prevent injuries.

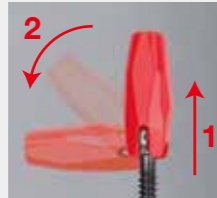
Diamond Handle:

Labor-Saving :

With pivot structure, more easy to apply clamping force

Space-Saving :

After clamping, the bending handle save much more space than traditional straight handle.



ANS System

(Anti-Slip System, Patented):
ANS system can hold the sliding arm anywhere on the rail.
Prevent sliding arm from slipping away when clamping, even if shaking the clamp.



Soft Pad Attached:

Protecting the workpiece.

Material: P.P.



Top Soft Pad (ø25)



Button Soft Pad (ø22)

The Stopper:

Hex Socket Screws (m5)



REVERSE F SERIES						
Item NO.	SpanxDepth mm	Spreading mm	Rail mm	Weight kg	Pressure kg	Pack Pcs
R20-8	200 x 80	145-300	16.0 x 7.5	0.65	320	10
R30-8	300 x 80	145-400		0.74		
R40-8	400 x 80	145-500		0.82		

Multi-Function Application



Parallel Jaw Clamp Series Features

Anti-Slip System :

The Anti-Slip System is really handy in work.

1. Prevents the lower jaw sliding or un-clamping.
2. Let the lower jaw clip and stop anywhere at the rail.

Parallel Jaw:

The large clamping area and parallel jaws allow the work easier and prevent damaging your workpiece.

Stopper:

1. Prevents the sliding arm moving off.
2. Can be taken off by hand for quickly changing the sliding arm direction to use for spreading.
3. Also can be a hold with the fixed arm to put on the table for horizontal clamping.



710 kgf. PJH Heavy-Duty

Rail: 29.0x9.0mm High quality profiled steel.
Arm: Medium carbon steel.



460 kgf. PJM Medium-Duty New!!

Rail: 25.0x6.0mm High quality profiled steel.
Arm: Medium carbon steel.



200 kgf. PJ Light-Duty

Rail: 20.0x5.0mm High quality profiled steel.
Arm: Ductile cast iron.

PJ Light-Duty

Handle: Wood & Plastic



PJH Heavy-Duty | PJM Medium-Duty

Pressure Caps:

Replaceable. Protect delicate surfaces. Repellent to glue. Resistant to paint and grease solvents.

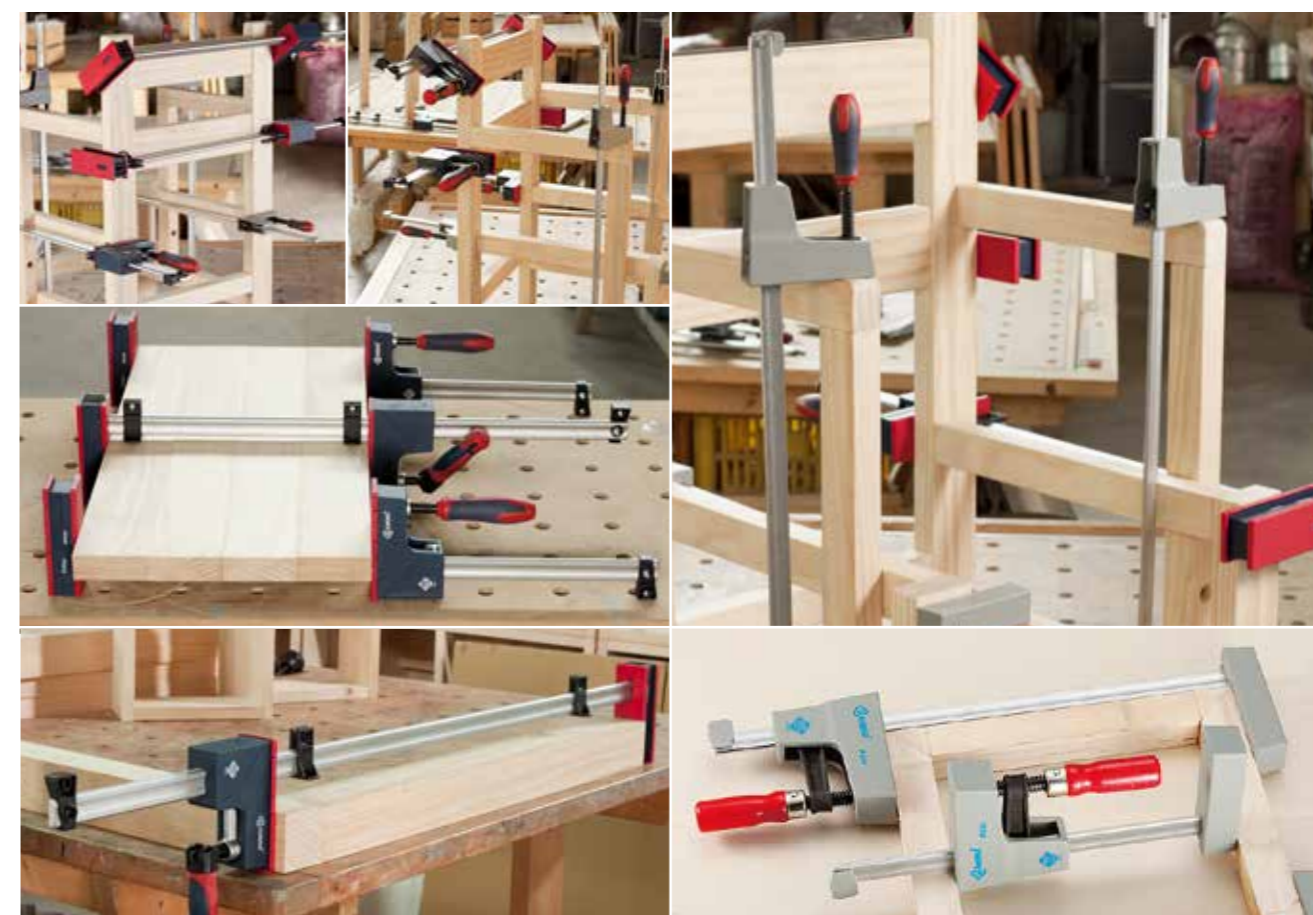
Ergonomic Handle (PJH-PF, PJM-D):

Labor-Saving :

With pivot structure, more easy to apply clamping force

Space-Saving :

After clamping, the bending handle save much more space than traditional straight handle.

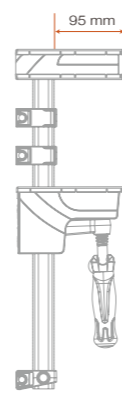
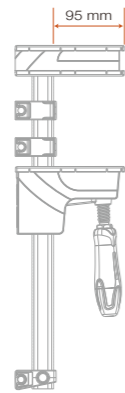



PJH Heavy-Duty

Rail: 29.0x9.0mm High quality profiled steel.
Clamping Force: 710 kgf.



New!!


PLASTIC HANDLE SERIES

Item NO.	SpanxDepth mm	Spreading mm	Rail mm	Weight kg	Pressure kg	Pack Pcs
PJH30	300 x 95	245~435	29.0 x 9.0	2.30	710	8
PJH60	600 x 95	245~735		2.80		
PJH80	800 x 95	245~935		3.10		
PJH100	1000 x 95	245~1135		3.50		
PJH125	1250 x 95	245~1385		3.90		
PJH150	1500 x 95	245~1635		4.50		
PJH200	2000 x 95	245~2135		5.50		
PJH250	2500 x 95	245~2635	6.10	4		

FOLDING HANDLE SERIES

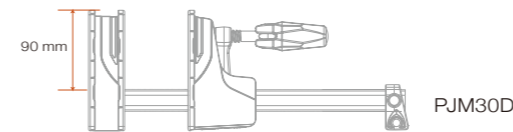
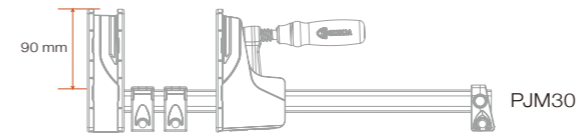
Item NO.	SpanxDepth mm	Spreading mm	Rail mm	Weight kg	Pressure kg	Pack Pcs
PJH30PF	300 x 95	245~435	29.0 x 9.0	2.21	710	8
PJH60PF	600 x 95	245~735		2.91		
PJH80PF	800 x 95	245~935		3.21		
PJH100PF	1000 x 95	245~1135		3.41		
PJH125PF	1250 x 95	245~1385		4.01		
PJH150PF	1500 x 95	245~1635		4.51		
PJH200PF	2000 x 95	245~2135		5.41		
PJH250PF	2500 x 95	245~2635	6.31	4		

PJM Medium-Duty

Rail: 25.0x6.0mm High quality profiled steel.
Clamping Force: 460 kgf.



New!!


COMPONENT HANDLE SERIES

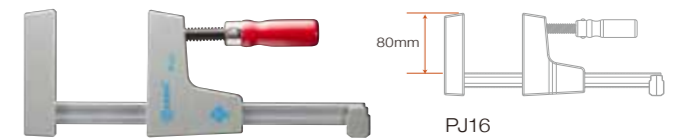
Item NO.	SpanxDepth mm	Spreading mm	Rail mm	Weight kg	Pressure kg	Pack Pcs
PJM30PN	300 x 90	215~425	25.0 x 6.0	1.50	460	8
PJM60PN	600 x 90	520~730		1.85		
PJM100PN	1000 x 90	910~1120		2.10		

DIAMOND HANDLE SERIES

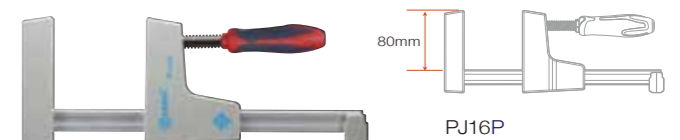
Item NO.	SpanxDepth mm	Spreading mm	Rail mm	Weight kg	Pressure kg	Pack Pcs
PJM30D	300 x 90	215~425	25.0 x 6.0	1.55	460	8
PJM60D	600 x 90	520~730		1.90		
PJM100D	1000 x 90	910~1120		2.15		

PJ Light-Duty

Rail: 20.0x5.0mm High quality profiled steel.
Clamping Force: 200 kgf.



PJ16



PJ16P

*P: PLASTIC HANDLE



PJ16PN

*PN: COMPONENT HANDLE

WOOD (PLASTIC) HANDLE SERIES

Item NO.	SpanxDepth mm	Spreading mm	Rail mm	Weight kg	Pressure kg	Pack Pcs
PJ16(P,PN)	160 x 80	172~270	20.0 x 5.0	0.60	200	10
PJ30(P,PN)	300 x 80	172~415		0.70		
PJ60(P,PN)	600 x 80	172~720		0.90		



Iron Screw Clamp Ductile Cast **Plastic Handle**

Features

- Ductile cast iron arm.
- P.P. Pad is attached.
- The most economical choice.
- The plastic handle is made of P.P. & T.P.V. material.



Top Soft Pad

Bottom Soft Pad



STANDARD SERIES					
Item NO.	Span x Depth (mm)	Rail (mm)	Weight (kg)	PressurePack (pcs)	
NA10-5P	100 X 50	15.0 X 5.0	0.29	150	20
NA15-5P	150 X 50		0.32		
NA20-5P	200 X 50		0.35		
NA25-5P	250 X 50		0.38		
NA30-5P	300 X 50		0.41		
NB12-6P	120 X 60	20.0 X 5.0	0.42	200	20
NB20-6P	200 X 60		0.48		
NB30-6P	300 X 60		0.55		
NB40-6P	400 X 60		0.62		
NB50-6P	500 X 60		0.69		
NC16-8P	160 X 80	25.0 X 6.0	0.74	270	10
NC20-8P	200 X 80		0.78		
NC25-8P	250 X 80		0.84		
NC30-8P	300 X 80		0.89		
NC40-8P	400 X 80		1.00		
NC50-8P	500 X 80		1.10		
NC60-8P	600 X 80	1.20			
ND20-10P	200 X 100	27.0 X 7.0	1.11	400	10
ND25-10P	250 X 100		1.18		
ND30-10P	300 X 100		1.24		
ND40-10P	400 X 100		1.38		
ND50-10P	500 X 100		1.52		
ND60-10P	600 X 100		1.65		
NE20-12P	200 X 120	29.0 X 9.0	1.39	500	10
NE25-12P	250 X 120		1.48		
NE30-12P	300 X 120		1.57		
NE40-12P	400 X 120		1.75	6	
NE50-12P	500 X 120		1.92		
NE60-12P	600 X 120		2.10		
NE80-12P	800 X 120	2.46	550	6	
NE100-12P	1000 X 120	2.81			
NF30-14P	300 X 140	32.0 X 10.0			2.03
NF40-14P	400 X 140		2.24		
NF50-14P	500 X 140		2.46		
NF60-14P	600 X 140		2.67	6	
NF80-14P	800 X 140		3.32		
NF100-14P	1000 X 140		3.54		

DEEP SERIES					
Item NO.	Span x Depth (mm)	Rail (mm)	Weight (kg)	PressurePack (pcs)	
NF40-17P	400 X 175	32.0 X 10.0	2.33	500	6
NF50-17P	500 X 175		2.55		
NF60-17P	600 X 175		2.76		
NF80-17P	800 X 175		3.41		
NF100-17P	1000 X 175		4.08		

Iron Screw Clamp Ductile Cast **Wood Handle** 03

Features

- Ductile cast iron arm.
- P.P. Pad is attached.
- The most economical choice.
- The wood handle is made of rubber tree.



Top Soft Pad

Bottom Soft Pad



STANDARD SERIES					
Item NO.	Span x Depth (mm)	Rail (mm)	Weight (kg)	PressurePack (pcs)	
NA10-5	100 X 50	15.0 X 5.0	0.29	150	20
NA15-5	150 X 50		0.32		
NA20-5	200 X 50		0.35		
NA25-5	250 X 50		0.38		
NA30-5	300 X 50		0.41		
NB12-6	120 X 60	20.0 X 5.0	0.42	200	20
NB20-6	200 X 60		0.48		
NB30-6	300 X 60		0.55		
NB40-6	400 X 60		0.62		
NB50-6	500 X 60		0.69		
NC16-8	160 X 80	25.0 X 6.0	0.74	270	10
NC20-8	200 X 80		0.78		
NC25-8	250 X 80		0.84		
NC30-8	300 X 80		0.89		
NC40-8	400 X 80		1.00		
NC50-8	500 X 80		1.10		
NC60-8	600 X 80	1.20			
ND20-10	200 X 100	27.0 X 7.0	1.11	400	10
ND25-10	250 X 100		1.18		
ND30-10	300 X 100		1.24		
ND40-10	400 X 100		1.38		
ND50-10	500 X 100		1.52		
ND60-10	600 X 100		1.65		
NE20-12	200 X 120	29.0 X 9.0	1.39	500	10
NE25-12	250 X 120		1.48		
NE30-12	300 X 120		1.57		
NE40-12	400 X 120		1.75	6	
NE50-12	500 X 120		1.92		
NE60-12	600 X 120		2.10		
NE80-12	800 X 120	2.46	550	6	
NE100-12	1000 X 120	2.81			
NF30-14	300 X 140	32.0 X 10.0			2.03
NF40-14	400 X 140		2.24		
NF50-14	500 X 140		2.46		
NF60-14	600 X 140		2.67	6	
NF80-14	800 X 140		3.32		
NF100-14	1000 X 140		3.54		

DEEP SERIES					
Item NO.	Span x Depth (mm)	Rail (mm)	Weight (kg)	PressurePack (pcs)	
NF40-17	400 X 175	32.0 X 10.0	2.33	500	6
NF50-17	500 X 175		2.55		
NF60-17	600 X 175		2.76		
NF80-17	800 X 175		3.41		
NF100-17	1000 X 175		4.08		

WOOD WORKING

04CLAMP

METAL WORKING

METAL WORKING



Three replaceable clamping pads are available and can be quickly replaced.
Hexagon design of the screws' end is good for reinforced clamping.
The clamping pressure is measured at the span of 150mm.



Easy replacement step.
The standard accessory is P-Pad.
The V-Pad and R-Pad are optional.



P-Pad



V-Pad



R-Pad



Use hexagon socket wrench to strengthen for applying force



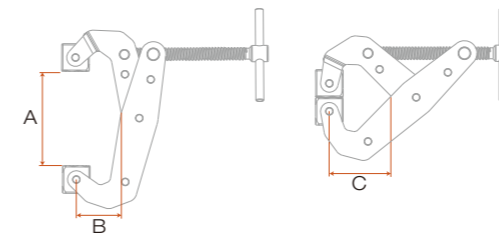
Hexagon End

Features

- C-term design makes it's possible to clamp workpieces like H beam.
- Cantilever clamping action: The handle is out of work area.
- Light Weight.
- Soft Handle: Great touching by TPR.
- Material of clamp body and jaw: **Aluminium alloy.**



Only 100g !! Pressure 200kg !!



CTC LIGHT SERIES						
Item NO.	Span A inch/mm	Depth B mm	Depth C mm	Weight kg	Pressure kg	Pack pcs
CTC-2-AL	2"/ 50	33	42	0.10	200	50



Features

Three replaceable clamping pads are available and can be quickly replaced.

Hexagon design of the screws' end is good for reinforced clamping.

The clamping pressure is measured at the span of 150mm.



Use hexagon socket wrench to strengthen for applying force



Hexagon End

Parts



Easy replacement step.
The standard accessory is P-Pad.
The V-Pad and R-Pad are optional (Page 60).



P-Pad



V-Pad



R-Pad

Features

The special curve design maximizes the efficiency of the throat depth.

The clamping pressure is measured at the span of 150mm.

Textured surface



STRONG-GRIP SERIES					
Item NO.	Span x Depth mm	Rail mm	Weight kg	PressurePack kg	Pack pcs
S15C6	150 X 60	19.5 X 9.5	0.72	600	10
S20C10	200 X 100		1.50		
S25C10	250 X 100	25.0 X 12.0	1.61	800	
S30C10	300 X 100		1.72		

S-C SERIES					
Item NO.	Span x Depth mm	Rail mm	Weight kg	PressurePack kg	Pack pcs
S20C	182 X 100	19.5x9.5	1.00	450	10
S25C	233 X 120	22.0x10.5	1.30	550	
S30C	283 X 140	25.0x12.0	1.97	670	
S40C	385 X 120		2.08		
S50C	485 X 120	25.0x12.0	2.30	750	
S60C	585 X 120		2.50		
S20C12	200 X 120		1.97		1000
S25C12	250 X 120		2.09		
S30C12	300 X 120	27.0 X 13.0	2.21		
S40C12	400 X 120		2.46		
S50C12	500 X 120		2.71		
S60C12	600 X 120		2.96		

Features

The double screws allow exact parallel movement of the jaws.

A light and handy clamp for accurate use.
The clamp is particularly suitable for workpieces less than 100mm.



Clamp Parallel Screw



GS SERIES					
Item NO.	Span x Depth mm	Rail mm	Weight kg	PressurePack kg	Pack pcs
GS25C	250 X 120		2.76		6
GS30C	300 X 140		2.96		
GS40C	400 X 120		3.20		
GS50C	500 X 140		3.66		
GS60C	600 X 120	30.0 x 15.0	3.87	1200	
GS80C	800 X 140		4.62		
GS100C	1000 X 120		5.15		4
GS125C	1250 X 120		5.94		
GS150C	1500 X 120		6.65		

SS SERIES					
Item NO.	Span x Depth mm	Rail mm	Weight kg	PressurePack kg	Pack pcs
SS30C	300 X 175		5.50		4
SS40C	400 X 175		6.06		
SS50C	500 X 175		6.62		
SS60C	600 X 175	40.0 x 20.0	7.18	2200	
SS80C	800 X 175		8.30		
SS100C	1000 X 175		9.43		
SS125C	1250 X 175		10.83		2
SS150C	1500 X 175		12.05		

PLC SERIES				
Item NO.	Span x Depth mm	Jaw Length mm	Weight kg	Pack pcs
PLC-028	28 x 16	50	0.09	50
PLC-040	40 x 25	60	0.15	
PLC-055	55 x 35	75	0.25	
PLC-070	70 x 50	100	0.45	
PLC-105	105 x 70	150	0.90	20

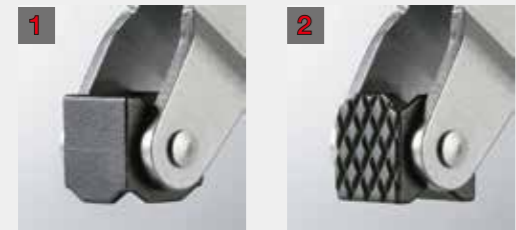
Features

Floating jaws always stay parallel.

C-term design makes it's possible to clamp workpieces like H beam.

Plates made from high tensile steel: Chrome-Molybdenum alloy steel.

Cantilever clamping action: The handle is out of work area.



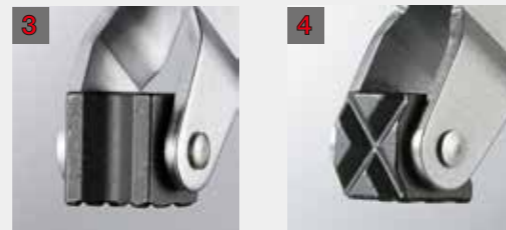
1 Smooth Surface
For general purpose clamping.

2 Textured Surface
Increase friction between the clamping surface.



4 Different Gripping Surfaces:

- 1 Smooth Surface:** For general purpose clamping.
- 2 Textured Surface:** Increase friction between the clamping surface.
- 3 V Block:** Good for clamping round workpiece.
- 4 X Block:** Good for clamping round workpiece, angle bar



3 V Block
Good for clamping round workpiece.

4 X Block
Good for clamping round workpiece, angle bar

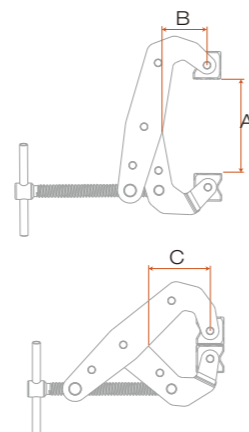


Function

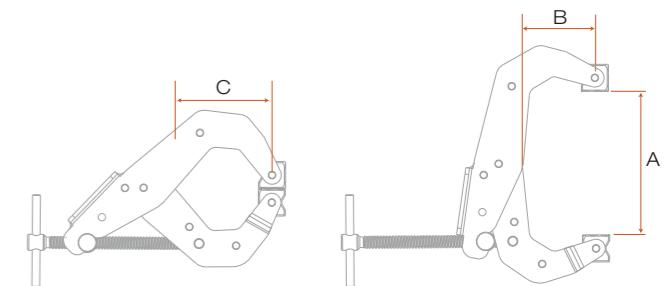
- A** Patent for quickly adjusting the span of the clamp.
- B** Alloyed steel : Coarse thread More rigid: Faster re-size the span and stronger. (For Other: CTC-3 See Page 36)
- C** Plates design with labor-saving function, easier to operate "Quickly adjusting span device".
- D** Drive nut design with caps to prevent injure and to rotate the drive nut more smoothly.
- E** Provide quickly adjusting function.



PATENTED
Taiwan-M413575, US 8,794,612 B2,
Germany-202011050016.0,
China-ZL201120109124.5



CTC-1/ 2/ 3 SERIES						
Item NO.	Span A incht/mm	Depth B mm	Depth C mm	Weight kg	Pressure kg	Pack pcs
CTC-1	1" / 25	15	20	0.06	130	50
CTC-2	2" / 50	33	42	0.25	310	
CTC-3	3" / 75	35	49	0.52	500	

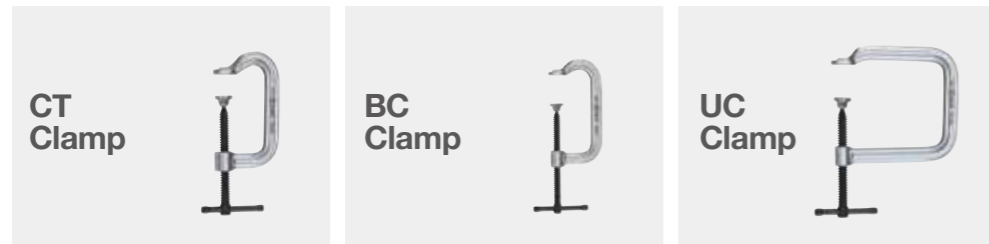


CTC-4.5/ CTC-6 SERIES						
Item NO.	Span A incht/mm	Depth B mm	Depth C mm	Weight kg	Pressure kg	Pack pcs
CTC-4.5	4.5" / 110	58	78	0.80	680	20
CTC-6	6" / 150	110	128	2.00	850	10

05CLAMP

C TYPE

C TYPE



The clamping pressure is measured at the span of 150mm.
C type brings you the heaviest clamping pressure.

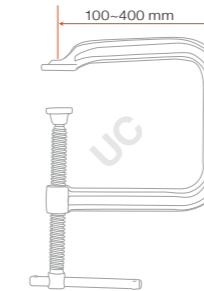
EHOMA's C clamps are different with traditional, normal forged clamp. Our C clamps have high steel quality, great look and perfect touch.



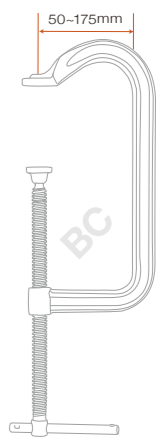
Features

C clamps are made of the special alloy steel plus Nickel & Chrome plating.
EHOMA's C clamps are different with traditional, normal forged clamp. Our C clamps have high steel quality, great look and perfect touch.
C clamp serial has four models-CT, UC, BC.
CT is standard item. UC has more deep throat. BC has more long span.

	CT		BC		UC	
Rail mm	Item No.	Span x Depth mm	Item No.	Span x Depth mm	Item No.	Span x Depth mm
19.5 X 9.5	CT2	50 X 50	BC4	100 X 50	UC2	50 X 100
	-	-	BC5	125 X 65	-	-
22.0 X 10.5	CT3	75 X 50	BC6	150 X 75	UC3	75 X 125
25.0 X 12.0	CT4	100 X 60	BC8	200 X 100	UC4	100 X 160
27.0 X 13.0	CT6	150 X 75	BC10	75~250 X 115	UC5	125 X 200
30.0 X 15.0	CT8	200 X 90	BC12	100~300 X 125	UC6	150 X 250
36.0 X 18.0	-	-	BC14	100~350 X 150	UC8	200 X 350
40.0 X 20.0	CT10	250 X 100	BC16	150~400 X 175	UC10	250 X 400



UC SERIES						
Item NO.	Span Inch	Span x Depth mm	Rail mm	Weight kg	Pressure	Pack pcs
UC2	2	50 X 100	19.5 X 9.5	0.56	600	40
UC3	3	75 X 125	22.0 X 10.5	0.86	600	24
UC4	4	100 X 160	25.0 X 12.0	1.40	650	12
UC5	5	125 X 200	27.0 X 13.0	1.95	700	10
UC6	6	150 X 250	30.0 X 15.0	2.96	800	6
UC8	8	200 X 350	36.0 X 18.0	5.36	850	4
UC10	10	250 X 400	40.0 X 20.0	7.45	1000	2



CT SERIES						
Item NO.	Span Inch	Span x Depth mm	Rail mm	Weight kg	Pressure	Pack pcs
CT2	2	50 X 50	19.5 X 9.5	0.44	1000	50
CT3	3	75 X 50	22.0 X 10.5	0.63	1300	30
CT4	4	100 X 60	25.0 X 12.0	1.02	1500	20
CT6	6	150 X 75	27.0 X 13.0	1.46	1800	10
CT8	8	200 X 90	30.0 X 15.0	2.29	2200	10
CT10	10	250 X 100	40.0 X 20.0	4.12	4000	5

BC SERIES						
Item NO.	Span Inch	Span x Depth mm	Rail mm	Weight kg	Pressure	Pack pcs
BC4	4	100 X 50	19.5 X 9.5	0.55	900	40
BC5	5	125 X 65	19.5 X 9.5	0.63	850	36
BC6	6	150 X 75	22.0 X 10.5	0.93	1000	24
BC8	8	200 X 100	25.0 X 12.0	1.54	1000	12
BC10	10	75~250 X 115	27.0 X 13.0	2.07	1200	10
BC12	12	100~300 X 125	30.0 X 15.0	2.91	1500	8
BC14	14	100~350 X 150	36.0 X 18.0	4.64	1800	4
BC16	16	150~400 X 175	40.0 X 20.0	6.14	2000	2

06CLAMP

MULTI-FUNCTION

New!!

Deep Throat Set with Anti-Slip



Deep Throat Set

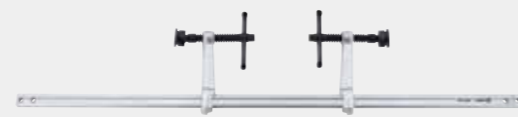


New!!

Deep Throat Parts with Anti-Slip



Easy Combination



Joint Block For Conneting



Deep throat set clamp (DT) can match users' demand function. You can assemble it by yourself just as expanding or span longer. You have some options to buy any other parts that you demand.

There are 3 parts of Deep throat set clamp. Those are Sliding Arm + T-handle(DSAT), and Post Rail(PR).



Easy replacement step. The standard accessory is P-Pad. The V-Pad and R-Pad are optional.

P-Pad V-Pad R-Pad



Features

Deep throat set clamp with spring ball (DT-SB) can match users' demand function. You can assemble it by yourself just as expanding or span longer. You have some options to buy any other parts that you demand.

There are 3 parts of Deep throat set clamp. Those are Top Arm, Sliding Arm + T-handle(DSAT-SB), and Post Rail(PR-SB).

ANS System



ANS system can hold the sliding arm anywhere on the rail.

Prevent sliding arm from slipping away when clamping, even if shaking the clamp.

DFA-SB Anti-Slip



DSAT-SB Anti-Slip



Sliding Arm + T-Handle

PR-SB

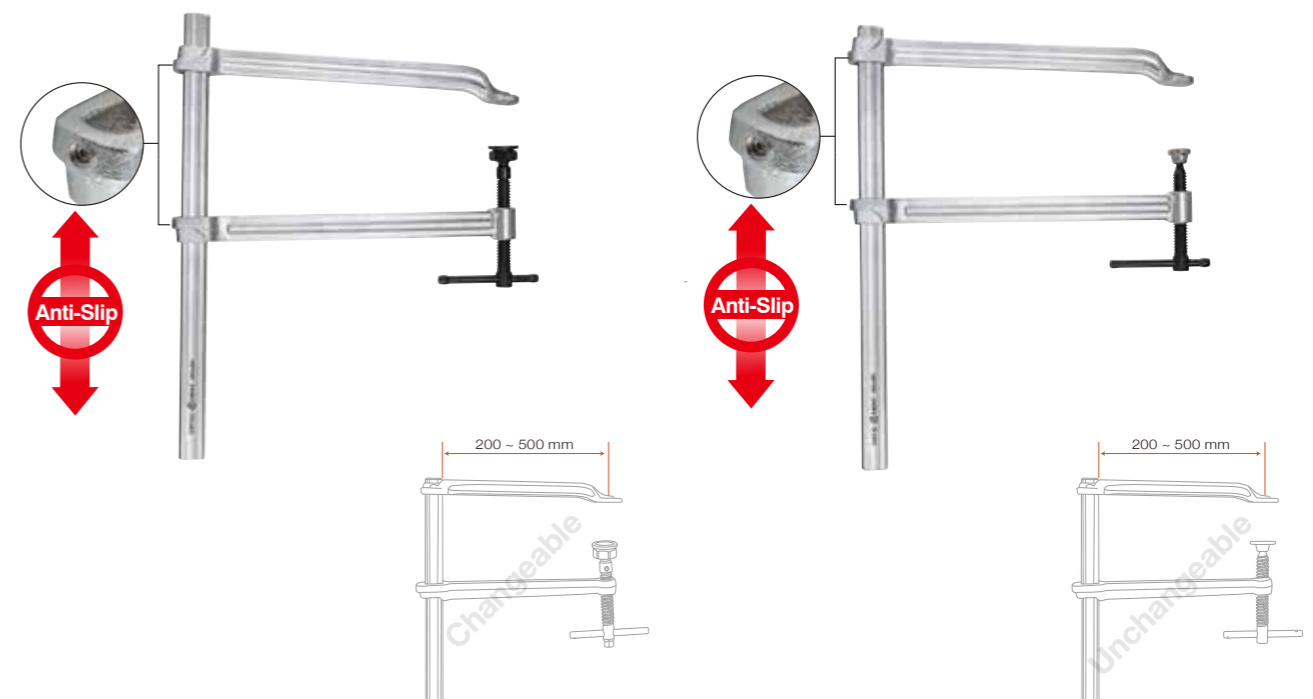


Post Rail

Size: 200mm ~ 1000mm

DFA-SB + DSAT-SB = DSFAT-SB

New!!



MULTIPLE PAD SERIES					
Item NO.	Span x Depth mm	Rail mm	Weight kg	PressurePack kg	pcs
D22T20J-SB	200 X 200	22.0 X 10.5	1.65	300	4
D25T25J-SB	250 X 250	25.0 X 12.0	2.57	340	
D27T30J-SB	300 X 300	27.0 X 13.0	3.39	340	
D30T36J-SB	300 X 360	30.0 X 15.0	4.85	450	
D36T30J-SB	300 X 300	36.0 X 18.0	5.90	850	2
D36T40J-SB	400 X 400	36.0 X 18.0	7.21	650	
D36T50J-SB	400 X 500	36.0 X 18.0	8.55	450	

LIGHT PAD SERIES					
Item NO.	Span x Depth mm	Rail mm	Weight kg	PressurePack kg	pcs
D22T20-SB	200 X 200	22.0 X 10.5	1.53	300	4
D25T25-SB	250 X 250	25.0 X 12.0	2.40	340	
D27T30-SB	300 X 300	27.0 X 13.0	3.27	340	
D30T36-SB	300 X 360	30.0 X 15.0	4.63	450	
D36T30-SB	300 X 300	36.0 X 18.0	5.68	850	2
D36T40-SB	400 X 400	36.0 X 18.0	7.00	650	
D36T50-SB	400 X 500	36.0 X 18.0	7.89	450	

Features

Deep throat set clamp (DT) can match users' demand function. You can assemble it by yourself just as expanding or span longer. You have some options to buy any other parts that you demand.

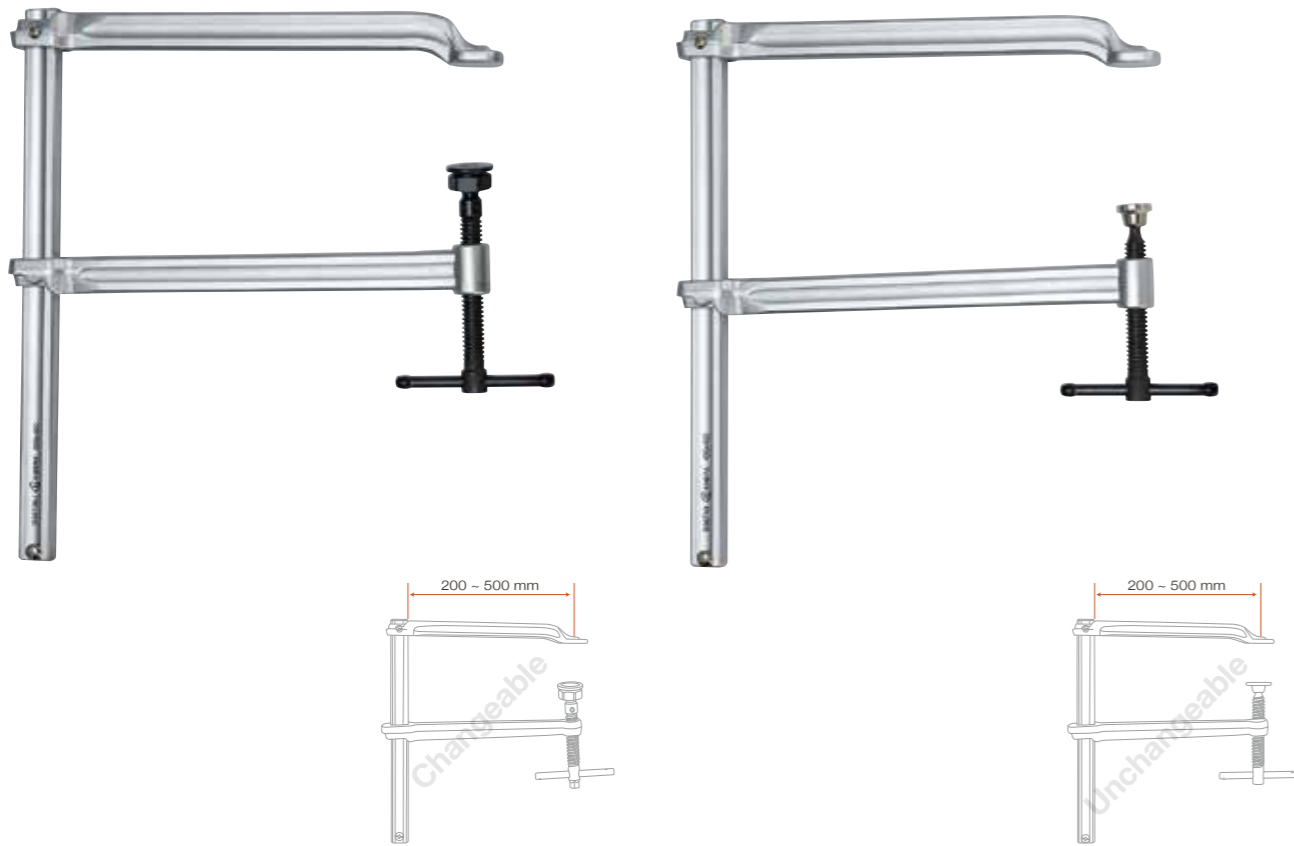
There are 3 parts of Deep throat set clamp. Those are Sliding Arm + T-handle(DSAT), and Post Rail(PR).



Parts



Easy replacement step.
The standard accessory is P-Pad.
The V-Pad and R-Pad are optional (Page 60).



DSFAT222-SB **New!!**

DFA-SB Anti-Slip

DSAT-SB Anti-Slip
Sliding Arm + T-Handle

DSFAT222J



DSFAT222



DEEP THROAT PART DSFAT-J SERIES				
Item NO.	Depth mm	Rail mm	Weight kg	Pack pcs
DSFAT222J(-SB)	200	22.0 X 10.5	1.16	4
DSFAT252J(-SB)	250	25.0 X 12.0	1.82	
DSFAT273J(-SB)	300	27.0 X 13.0	2.30	
DSFAT303J(-SB)	360	30.0 X 15.0	3.50	
DSFAT363J(-SB)	300	36.0 X 18.0	3.99	
DSFAT364J(-SB)	400	36.0 X 18.0	4.86	
DSFAT365J(-SB)	500	36.0 X 18.0	5.75	

DSFAT222J-SB
*SB: Anti-Slip

DEEP THROAT PART DSFAT SERIES				
Item NO.	Depth mm	Rail mm	Weight kg	Pack pcs
DSFAT222(-SB)	200	22.0 X 10.5	1.09	4
DSFAT252(-SB)	250	25.0 X 12.0	1.67	
DSFAT273(-SB)	300	27.0 X 13.0	2.22	
DSFAT303(-SB)	360	30.0 X 15.0	3.28	
DSFAT363(-SB)	300	36.0 X 18.0	3.78	
DSFAT364(-SB)	400	36.0 X 18.0	4.65	
DSFAT365(-SB)	500	36.0 X 18.0	5.54	

DSFAT222-SB
*SB: Anti-Slip



POST RAIL SERIES											
Item NO.	Rail mm	Weight kg	Pack pcs	Item NO.	Rail mm	Weight kg	Pack pcs	Item NO.	Rail mm	Weight kg	Pack pcs
PR27100(-SB)	27.0 X 13.0	2.77	1	PR36030(-SB)	36.0 X 18.0	1.90	1	PR36050(-SB)	36.0 X 18.0	2.80	1
PR30100(-SB)	30.0 X 15.0	3.57		PR36040(-SB)	36.0 X 18.0	2.40		PR36100(-SB)	36.0 X 18.0	5.02	

PR2700-SB
*SB: Anti-Slip

MULTIPLE PAD SERIES					
Item NO.	Span x Depth mm	Rail mm	Weight kg	Pressure kg	Pack pcs
D22T20J	200 X 200	22.0 X 10.5	1.65	300	4
D25T25J	250 X 250	25.0 X 12.0	2.57	340	
D27T30J	300 X 300	27.0 X 13.0	3.39	340	
D30T36J	300 X 360	30.0 X 15.0	4.85	450	
D36T30J	300 X 300	36.0 X 18.0	5.90	850	2
D36T40J	400 X 400	36.0 X 18.0	7.21	650	
D36T50J	400 X 500	36.0 X 18.0	8.55	450	

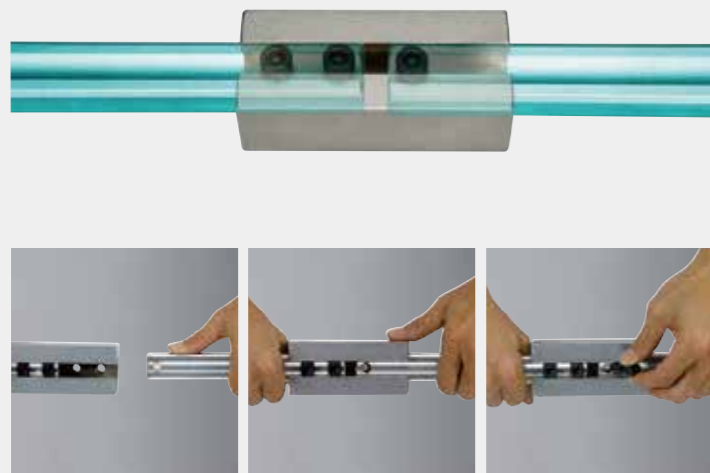
LIGHT PAD SERIES					
Item NO.	Span x Depth mm	Rail mm	Weight kg	Pressure kg	Pack pcs
D22T20	200 X 200	22.0 X 10.5	1.53	300	4
D25T25	250 X 250	25.0 X 12.0	2.40	340	
D27T30	300 X 300	27.0 X 13.0	3.27	340	
D30T36	300 X 360	30.0 X 15.0	4.63	450	
D36T30	300 X 300	36.0 X 18.0	5.68	850	2
D36T40	400 X 400	36.0 X 18.0	7.00	650	
D36T50	400 X 500	36.0 X 18.0	7.89	450	

Features

Connection Joint Block is designed for longer span demands. You can assemble EHOMA original clamp with connecting joint block to make the frame longer.

Usually, connecting joint block is used with one connecting rod, but it also can connect more than one connecting rod.

For example, if you need a 270cm span clamp, you may assemble SG80C x 1 + CJB27 x 2 + CR27100 x 2 to fit your demand.



Features

Connecting rod or post rail also can be used without a connecting joint block.

It can assemble with 2 sets of clamp parts (Arm + Handle) for more directions using, such as inward or outward clamping.

The clamp parts sets (Arm + Handle) are shown in page 56~58.

Note: Rail is the keypoint.

For example 1: CR27100 x 1pcs + CTL30A x 2pcs

For example 2: CR30100 x 1pcs + 3025ASR x 2pcs

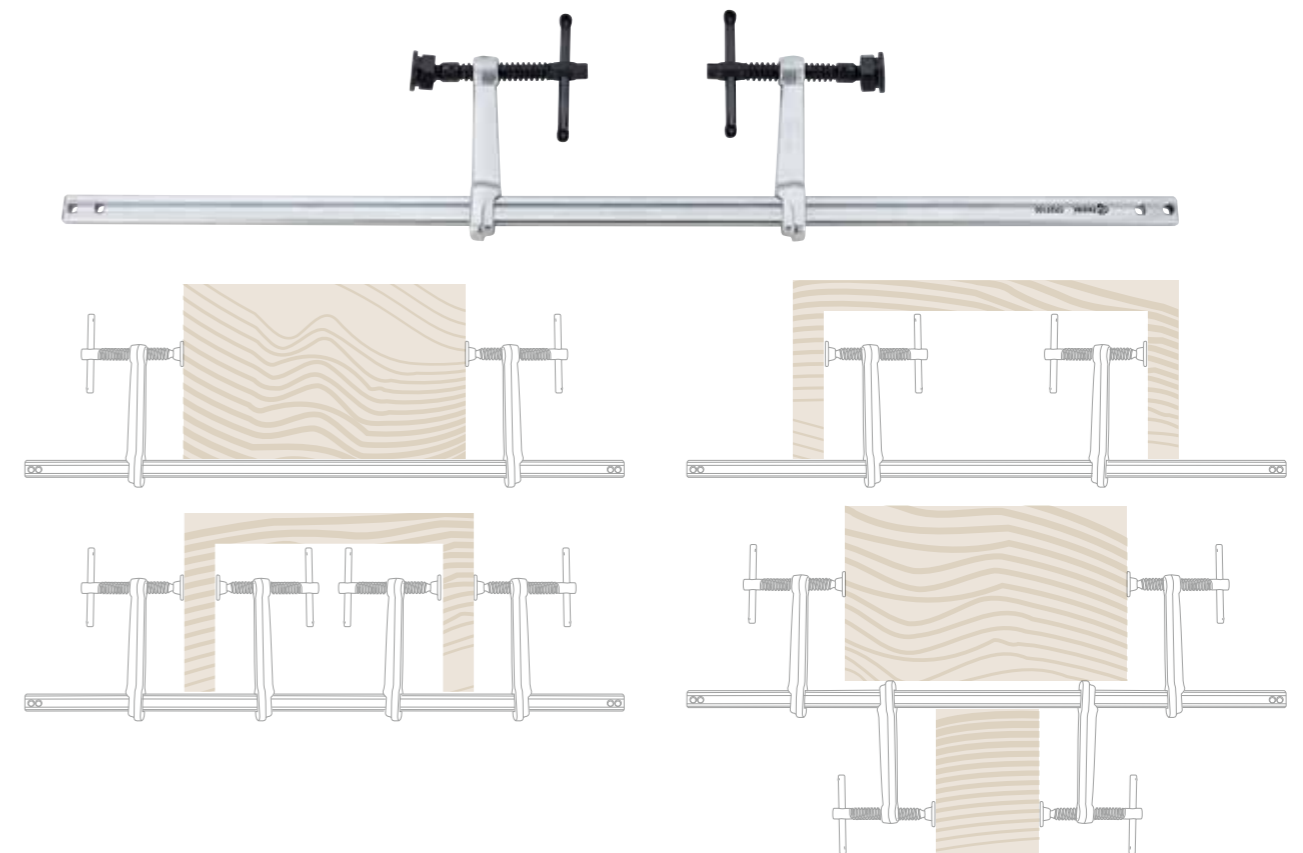


MULTI-FUNCTION



JOINT BLOCK SERIES			
Item NO.	Use Rail Size mm	Weight kg	Pack pcs
CJB27	27.0 X 13.0	1.04	1
CJB30	30.0 X 15.0	0.96	
CJB36	36.0 X 18.0	1.63	
CJB40	40.0 X 20.0	1.52	

CONNECTING ROD SERIES			
Item NO.	Use Rail Size mm	Weight kg	Pack pcs
CR27100	27.0 X 13.0	2.44	1
CR30100	30.0 X 15.0	3.16	
CR36100	36.0 X 18.0	4.44	
CR40100	40.0 X 20.0	5.54	



07 CLAMP

LIMITED SPACE WORKING

Cantilever F



Hurdle-Free



The hurdle-free design lets the clamps workable on channel iron, angle-iron, H-beam or other obstructions.

The cantilever handle is located behind the clamp's rail. It is workable in most limited area for clamping or spreading.



Features

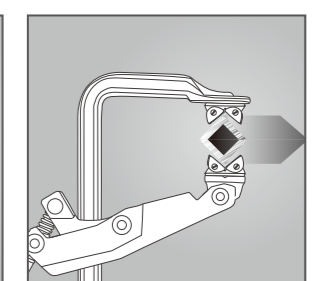
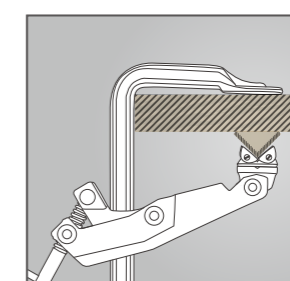
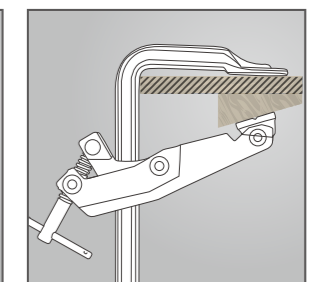
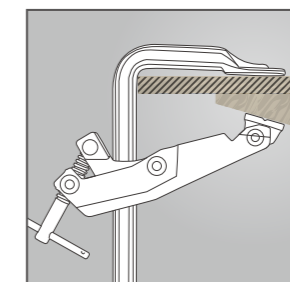
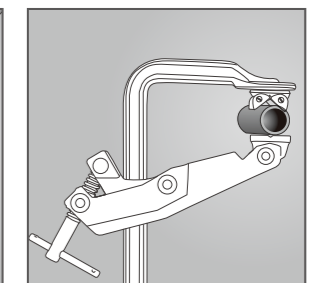
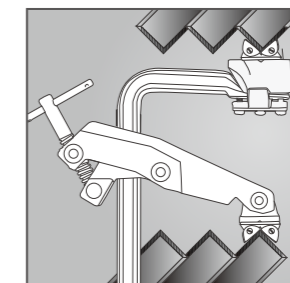
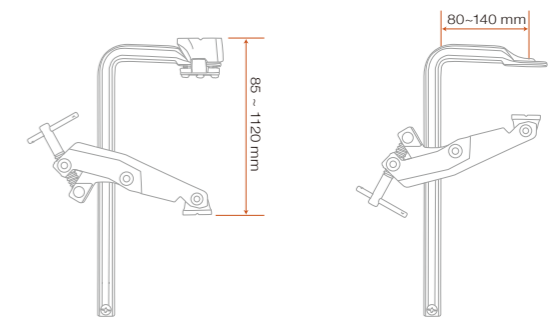
It is specifically designed for clamping inward and outward to meet various clamping applications.

Simply changing the slide-in direction of the sliding arm can shift such clamping direction.

The cantilever helps to obtain maximum clamping pressure with minimum tightening force.

The clamping pressure is measured at the span of 150mm.

The clamping block of CTD and CTV are optional accessories (Page 61).



CANTILEVER F SERIES

Item NO.	Span x Depth mm	Rail mm	Weight kg	PressurePack kg pcs
CTL-15	150 X 80	22.0 X 10.5	1.36	600 10
CTL-20	200 X 80		1.44	
CTL-50	500 X 80		1.93	
CTL-80	800 X 80		2.42	
CTL-30	300 X 100	27.0 X 13.0	2.72	700 6
CTL-60	600 X 100		3.46	
CTL-100	1000 X 100		4.41	
CTL-30-14	300 X 140	27.0 X 13.0	2.90	600 6
CTL-60-14	600 X 140		3.67	
CTL-100-14	1000 X 140		4.65	

LIMITED SPACE WORKING

Features

The U-term design makes it handy in clamping H beam for welding.

Easy to operate and applicable to all types of H beam.

The clamping pressure is measured at the span of 150mm.



Multiple Series:



Use hexagon socket wrench to strengthen for applying force



Easy replacement step.
The standard accessory is P-Pad.
The V-Pad and R-Pad are optional (Page 60).



P-Pad



V-Pad



R-Pad

Features

The U-term design makes it handy in clamping H beam for welding.

Easy to operate and applicable to all types of H beam.

The clamping pressure is measured at the span of 150mm.



Quick Lever Series:



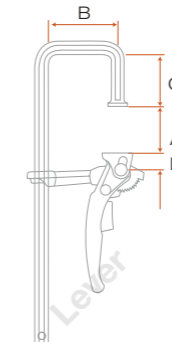
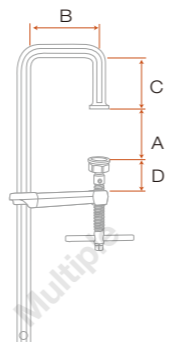
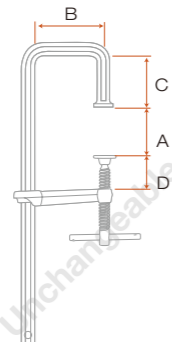
Ratchet type lever prevents overloading and resists vibration.

For high pressure, fast action clamping purpose.



Soft Pad For Quick Lever

The soft pad for quick lever is optional (Page 61).



LIGHT PAD SERIES							
Item NO.	Span x Depth A X B mm	U-Turn C mm	Overpass Height D mm	Rail mm	Weight kg	Pressure kg	Pack pcs
H25U6S	250 X 120	60	90	22.0 X 10.5	1.50	550	10
H30U10S	300 X 140	100	100	25.0 X 12.0	2.35	650	10
H30U11S	300 X 140	110	115	30.0 X 15.0	3.38	1100	6
H50U11S	500 X 140				4.02		
H30U15S	300 X 175				6.80		
H40U15S	400 X 175	150	130	40.0 X 20.0	7.38	2200	2
H50U15S	500 X 175				7.94		

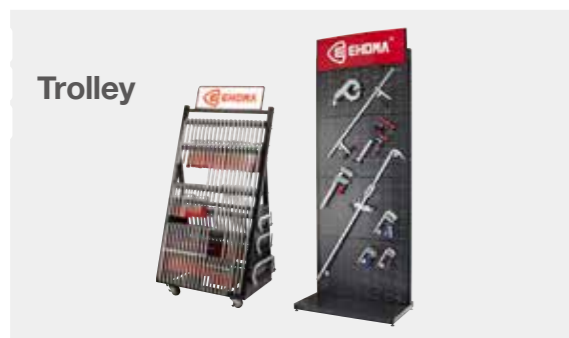
MULTIPLE PAD SERIES							
Item NO.	Span x Depth A X B mm	U-Turn C mm	Overpass Height D mm	Rail mm	Weight kg	Pressure kg	Pack pcs
H25U6	250 X 120	60	90	22.0 X 10.5	1.58	550	10
H30U10	300 X 140	100	100	25.0 X 12.0	2.46	650	10
H30U11	300 X 140	110	115	30.0 X 15.0	3.67	1100	6
H50U11	500 X 140				4.28		
H30U15	300 X 175				7.20		
H40U15	400 X 175	150	130	40.0 X 20.0	7.72	2200	2
H50U15	500 X 175				8.28		

QUICK LEVER SERIES							
Item NO.	Span x Depth A X B mm	U-Turn C mm	Overpass Height D mm	Rail mm	Weight kg	Pressure kg	Pack pcs
H25U6L	250 X 120	60	10	22.0 X 10.5	1.78	400	10
H30U10L	300 X 140	100	12	25.0 X 12.0	2.80	500	10

08CLAMP

DISPLAY TROLLEY, PARTS & ACCESSORIES

CLAMP TROLLEY



Trolley



Parts & Accessories

The clamp trolley is mostly used in the shop floor area due to its high stability and steel construction. It takes up only 60x90cm floor space.

The clamp trolley is used as a sales display, and also as a tooling stand in a workshop.

The Display Stand is dark grey, and it could hold for 200kg products.

Each DPS set includes the hooks 5cm x 20pcs & 15cm x 20pcs.

It is not only good for a fair/show, but also good for a sales store.

Features

The clamp trolley is mostly used in the shop floor area due to its high stability and steel construction. It takes up only 60x90cm floor space.

The clamp trolley is used as a sales display, and also as a tooling stand in a workshop.

The display is empty for sale.



DISPLAY TROLLEY SERIES				
Item NO.	Width X Depth X Height mm	Caster mm	Weight kg	Pack pcs
DP1	800 X 575 X 1560	75 X 32	39	1

* Includes hooks 3cmx16 pcs

DISPLAY STAND SERIES			
Item NO.	Width X Depth X Height mm	Weight kg	Pack pcs
DPS	933 X 400 X 2300	37	1

* Includes hooks 5cm x 20 pcs/ 15cm x 20 pcs



New!!

Arm & Spindle with Component Handle & Pad

Item NO.	Applicable	Description
1105ASPN	G10PN	Suit to rail 11.5mm & depth 50mm
1306ASPN	G12PN	Suit to rail 13.5mm & depth 60mm
1608ASPN	G16PN	Suit to rail 16.0mm & depth 80mm
1910ASPN	G20PN	Suit to rail 19.5mm & depth 100mm
2212ASPN	G25PN	Suit to rail 22.0mm & depth 120mm
2514ASPN	G30PN	Suit to rail 25.0mm & depth 140mm
2512ASPN	SG40PN	Suit to rail 25.0mm & depth 120mm
2712ASPN	SG80PN	Suit to rail 27.0mm & depth 120mm
2717ASPN	G40PN	Suit to rail 27.0mm & depth 175mm
3020ASPN	PND30T20	Suit to rail 30.0mm & depth 200mm
3025ASPN	PND40T25	Suit to rail 30.0mm & depth 250mm



New!!

Arm & Spindle with Folding Handle & Pad

Item NO.	Applicable	Description
1910ASPF	G20PF	Suit to rail 19.5mm & depth 100mm
2212ASPF	G25PF	Suit to rail 22.0mm & depth 120mm
2514ASPF	G30PF	Suit to rail 25.0mm & depth 140mm
2512ASPF	SG40PF	Suit to rail 25.0mm & depth 120mm
2712ASPF	SG80PF	Suit to rail 27.0mm & depth 120mm
2717ASPF	G40PF	Suit to rail 27.0mm & depth 175mm
3020ASPF	PFD30T20	Suit to rail 30.0mm & depth 200mm
3025ASPF	PFD40T25	Suit to rail 30.0mm & depth 250mm



Arm & Spindle With Strong-Hold T-Bar & P Pad

Item NO.	Applicable	Description
1906AST-P	M15C6	Suit to rail 19.5mm & depth 60mm
1910AST-P	S20C	Suit to rail 19.5mm & depth 100mm
2208AST-P	M20C8	Suit to rail 22.0mm & depth 80mm
2212AST-P	S25C	Suit to rail 22.0mm & depth 120mm
2510AST-P	M25C10	Suit for rail 25.0mm & depth 100mm
2512AST-P	S40C	Suit for rail 25.0mm & depth 120mm
2514AST-P	S30C	Suit for rail 25.0mm & depth 140mm
2708AST-P	MS25C8	Suit for rail 27.0mm & depth 80mm
2712AST-P	S20C12	Suit for rail 27.0mm & depth 120mm
3010AST-P	MS30C10	Suit for rail 30.0mm & depth 100mm
3012AST-P	GS25C	Suit for rail 30.0mm & depth 120mm
3014AST-P	GS30C	Suit for rail 30.0mm & depth 140mm
3616AST-P	GM30C	Suit for rail 36.0mm & depth 160mm
4012AST-P	MS50C12	Suit for rail 40.0mm & depth 120mm
4017AST-P	SS30C	Suit for rail 40.0mm & depth 175mm



Arm & Spindle With T-handle & Pad

Item NO.	Applicable	Description
2508T	FA10	Suit to rail 25x6mm & depth 80mm
3010T	FB20	Suit to rail 30x8mm & depth 100mm
3012T	FB30	Suit to rail 30x8mm & depth 120mm
3512TC	FC30	Suit to rail 35x9mm & depth 120mm
3514T	FC40	Suit to rail 35x9mm & depth 140mm
3517T	FC50	Suit to rail 35x9mm & depth 175mm
3512TD	FD30	Suit to rail 35x11mm & depth 120mm
3520T	FD60	Suit to rail 35x11mm & depth 200mm
3525T	FD70	Suit to rail 35x11mm & depth 250mm



Arm & Spindle With Wood Handle & Pad

Item NO.	Applicable	Description
1105ASW	G10C	Suit to rail 11.5mm & depth 50mm
1306ASW	G12C	Suit to rail 13.5mm & depth 60mm
1608ASW	G16C	Suit to rail 16.0mm & depth 80mm
1910ASW	G20C	Suit to rail 19.5mm & depth 100mm
2212ASW	G25C	Suit to rail 22.0mm & depth 120mm
2514ASW	G30C	Suit to rail 25.0mm & depth 140mm
2512ASW	SG40C	Suit to rail 25.0mm & depth 120mm
2712ASW	SG80C	Suit to rail 27.0mm & depth 120mm
2717ASW	G40C	Suit to rail 27.0mm & depth 175mm
3020ASW	WD30T20	Suit to rail 30.0mm & depth 200mm
3025ASW	WD40T25	Suit to rail 30.0mm & depth 250mm



Arm & Spindle with Pivot Handle & Pad

Item NO.	Applicable	Description
1608ASR	REG16C	Suit to rail 16.0mm & depth 80mm
1910ASR	REG20C	Suit to rail 19.5mm & depth 100mm
2212ASR	REG25C	Suit to rail 22.0mm & depth 120mm
2514ASR	REG30C	Suit to rail 25.0mm & depth 140mm
2512ASR	REG40C	Suit to rail 25.0mm & depth 120mm
2712ASR	REG80C	Suit to rail 27.0mm & depth 120mm
2717ASR	REG40C	Suit to rail 27.0mm & depth 175mm
3020ASR	RD30T20	Suit to rail 30.0mm & depth 200mm
3025ASR	RD40T25	Suit to rail 30.0mm & depth 250mm



Sliding Arm & Handle Set

Item NO.	Applicable	Description
1505NA	NA	Suit to rail 15x5mm & depth 50mm
2006NA	NB	Suit to rail 20x5mm & depth 60mm
2508NA	NC	Suit to rail 25x6mm & depth 80mm
2710NA	ND	Suit to rail 27x7mm & depth 100mm
2912NA	NE	Suit to rail 29x9mm & depth 120mm
3214NA	NF	Suit to rail 32x10mm & depth 140mm
3217NA	NF	Suit to rail 32x10mm & depth 175mm



Arm & Spindle With 2-Way Ratchet handle

Item NO.	Applicable	Description
2512ASK	SG40R	Suit to rail 25.0 mm
2514ASK	G30R	Suit to rail 25.0 mm
2712ASK	SG80R	Suit to rail 27.0 mm
2717ASK	G40R	Suit to rail 27.0 mm
3012ASK	GSE25R	Suit to rail 30.0 mm
3014ASK	GSI25R	Suit to rail 30.0 mm
3020ASK	SD30T20R	Suit to rail 30.0 mm
3025ASK	SD30T25R	Suit to rail 30.0 mm



Arm & Spindle With Plastic Handle & Pad

Item NO.	Applicable	Description
1105ASP	G10P	Suit to rail 11.5mm & depth 50mm
1306ASP	G12P	Suit to rail 13.5mm & depth 60mm
1608ASP	G16P	Suit to rail 16.0mm & depth 80mm
1910ASP	G20P	Suit to rail 19.5mm & depth 100mm
2212ASP	G25P	Suit to rail 22.0mm & depth 120mm
2514ASP	G30P	Suit to rail 25.0mm & depth 140mm
2512ASP	SG40P	Suit to rail 25.0mm & depth 120mm
2712ASP	SG80P	Suit to rail 27.0mm & depth 120mm
2717ASP	G40P	Suit to rail 27.0mm & depth 175mm
3020ASP	PD30T20	Suit to rail 30.0mm & depth 200mm
3025ASP	PD40T25	Suit to rail 30.0mm & depth 250mm



Arm & Spindle With T-Bar & Pad

Item NO.	Applicable	Description
1105AST	G10CS	Suit to rail 11.5mm & depth 50mm
1306AST	G12CS	Suit to rail 13.5mm & depth 60mm
1608AST	G16CS	Suit to rail 16.0mm & depth 80mm
1910AST	G20CS	Suit to rail 19.5mm & depth 100mm
2212AST	G25CS	Suit to rail 22.0mm & depth 120mm
2514AST	G30CS	Suit to rail 25.0mm & depth 140mm
2512AST	SG40CS	Suit to rail 25.0mm & depth 120mm
2712AST	SG80CS	Suit to rail 27.0mm & depth 120mm
2717AST	G40CS	Suit to rail 27.0mm & depth 175mm
3012AST	GSE25	Suit to rail 30.0mm & depth 120mm
3020AST	SD30T20	Suit to rail 30.0mm & depth 200mm
3025AST	SD40T25	Suit to rail 30.0mm & depth 250mm



Arm & Spindle With Wood Handle & Pad

Item NO.	Applicable	Description
2508W	WA10	Suit to rail 25x6mm & depth 80mm
3010W	WB20	Suit to rail 30x8mm & depth 100mm
3012W	WB30	Suit to rail 30x8mm & depth 120mm
3512WC	WC30	Suit to rail 35x9mm & depth 120mm
3514W	WC40	Suit to rail 35x9mm & depth 140mm
3517W	WC50	Suit to rail 35x9mm & depth 175mm
3512WD	WD30	Suit to rail 35x11mm & depth 120mm
3520W	WD60	Suit to rail 35x11mm & depth 200mm
3525W	WD70	Suit to rail 35x11mm & depth 250mm



Arm & Spindle With 2-Way Ratchet handle & P Pad Set

Item NO.	Applicable	Description
2510ASK-P	M25R10	Suit to rail 25.0 mm
2512ASK-P	S40R	Suit to rail 25.0 mm
2514ASK-P	S30R	Suit to rail 25.0 mm
2708ASK-P	MS25R8	Suit to rail 27.0 mm
2712ASK-P	S20R12	Suit to rail 27.0 mm
2717ASK-P	S30R175	Suit to rail 27.0 mm
3010ASK-P	MS30R10	Suit to rail 30.0 mm
3012ASK-P	GS25R	Suit to rail 30.0 mm
3014ASK-P	GS30R	Suit to rail 30.0 mm



Arm & Spindle with Strong Grip T-Bar & Pad

Item NO.	Applicable	Description
1906ASTR	S15C6	Suit to rail 19.5mm & depth 60mm
2208ASTR	S20C8	Suit to rail 22.0mm & depth 80mm
2510ASTR	S20C10	Suit to rail 25.0mm & depth 100mm
2708ASTR	SP15C8	Suit to rail 27.0mm & depth 80mm
3010ASTR	SP20C10	Suit to rail 30.0mm & depth 100mm
4012ASTR	SP30C12	Suit to rail 40.0mm & depth 120mm



Arm & Lever Handle

Item NO.	Applicable	Description
1306AL	G12L	Suit to rail 13.5mm & depth 60mm
1608AL	G16L	Suit to rail 16.0mm & depth 80mm
1910AL	G20L	Suit to rail 19.5mm & depth 100mm
2212AL	G25L	Suit to rail 22.0mm & depth 120mm
2514AL	G30L	Suit to rail 25.0mm & depth 140mm
2512AL	G40L	Suit to rail 25.0mm & depth 120mm
2712AL	G80L	Suit to rail 27.0mm & depth 120mm



Sliding Arm & Plastic Handle

Item NO.	Applicable
2008PJP	PJ Series Clamp-Plastic Handle



Spindle & Component Handle

Item NO.	Applicable	Description
10PNH	G10PN	Suit to rail 11.5, 15x5mm
12PNH	G12PN	Suit to rail 13.5, 20x5mm
14PNH	G16PN	Suit to rail 16.0, 25x6mm
16PNH	G20PN	Suit to rail 19.5, 22.0, 30x8, 27x7, 29x9mm
18PNH	G30PN	Suit to rail 25.0, 27.0, 30.0, 35x9, 35x11, 32x10 mm



Sliding Arm & Handle Set

Item NO.	Applicable	Description
CTL15A	CTL-15	Suit to rail 22.0mm & depth 80mm
CTL30A	CTL-30	Suit to rail 27.0mm & depth 100mm
CTL3014A	CTL30-14	Suit to rail 27.0mm & depth 140mm



Sliding Arm & Folding Handle

Item NO.	Applicable
2909PJHPF	PJH Series Clamp-Folding Handle



Sliding Arm & Wood Handle

Item NO.	Applicable
2008PJW	PJ Series Clamp-Wood Handle



Spindle & Wood Handle

Item NO.	Applicable	Description
10WH	G10C	Suit to rail 11.5, 15x5mm
12WH	G12C	Suit to rail 13.5, 20x5mm
14WH	G16C	Suit to rail 16.0, 25x6mm
16WH	G20C	Suit to rail 19.5, 22.0, 30x8, 27x7, 29x9mm
18WH	G30C	Suit to rail 25.0, 27.0, 30.0, 35x9, 35x11, 32x10 mm

Sliding Arm



Item NO.	Applicable	Description
1608RA	Reverse f clamp	Suit to rail 16.0 mm



Sliding Arm & Plastic Handle

Item NO.	Applicable
2909PJHP	PJH Series Clamp-Plastic Handle



Sliding Arm & Component Handle

Item NO.	Applicable
2008PJPN	PJ Series Clamp-Component Handle



Spindle & Plastic Handle

Item NO.	Applicable	Description
10PH	G10P	Suit to rail 11.5, 15x5mm
12PH	G12P	Suit to rail 13.5, 20x5mm
14PH	G16P	Suit to rail 16.0, 25x6mm
16PH	G20P	Suit to rail 19.5, 22.0, 30x8, 27x7, 29x9mm
18PH	G30P	Suit to rail 25.0, 27.0, 30.0, 35x9, 35x11, 32x10 mm

Top Arm with Diamond Handle



Item NO.	Applicable	Description
1306RAH	Reverse f clamp	Suit to rail 13.0 mm
1608RAH	Reverse f clamp	Suit to rail 16.0 mm



Sliding Arm Component Handle

Item NO.	Applicable
2509PJMPN	PJM Series Clamp-Component Handle



Spindle & T-Handle

Item NO.	Applicable	Description
10TH	G10CS	Suit to rail 11.5mm
12TH	G12CS	Suit to rail 13.5mm
14TH	G16CS	Suit to rail 16.0mm
16TH	G20CS	Suit to rail 19.5, 22.0 mm
18TH	G30CS	Suit to rail 25.0, 27.0mm
20TH	GSE20	Suit to rail 30.0mm
22TH	SP30C12	Suit to rail 40.0 mm
14TB	FA	Suit to rail 25x6mm
16TB	FB	Suit to rail 30x8mm
18TB	FC,FD	Suit to rail 35x9, 35x11 mm



Spindle & Pad for 2-way Ratchet Handle

Item NO.	Applicable	Description
27KS-P	G30R	Suit to rail 25.0, 27.0 mm
30KS-P	GSE25R	Suit to rail 30.0 mm



Arm & Diamond Handle

Item NO.	Applicable	Description
1608R SET	Reverse f clamp	Suit to rail 16.0 mm



Sliding Arm Diamond Handle

Item NO.	Applicable
2509PJMD	PJM Series Clamp-Diamond Handle



Spindle & T-Handle

Item NO.	Applicable	Description
22ST-H	S20C	Suit to rail 19.5, 22.0 mm
27ST-H	S20C12	Suit for rail 25.0, 27.0 mm
30ST-H	GS25C	Suit for rail 30.0 mm
40ST-H	SS30C	Suit for rail 36.0, 40.0 mm



Spindle & Pad for Pivot Handle

Item NO.	Applicable	Description
16RS-P	REG16C	Suit to rail 16.0 mm
19RS-P	REG20C	Suit to rail 19.5, 22.0 mm
25RS-P	REG30C	Suit to rail 25.0, 27.0 mm



2-Way Ratchet Handle

Item NO.	Applicable	Description
27KH SET	all ratchet handle	Suit to rail 25.0, 27.0, 30.0 mm



C-Ring Pad For General Purpose Clamps Replacement

Item NO.	Applicable	Description
11CPad	G12C Pad	Suit to rail 13.5 mm
16CPad	G16C Pad	Suit to rail 16.0 mm
19CPad	G20C Pad	Suit to rail 19.5, 22.0 mm
25CPad	G30C Pad	Suit to rail 25.0, 27.0 mm
30CPad	GSE Pad	Suit to rail 30.0 mm



Pad For General Purpose

Item NO.	Applicable	Description
11Pad	G10C Pad	Suit to rail 11.5, 13.5 mm
16Pad	G16C Pad	Suit to rail 16.0 mm
19Pad	G20C Pad	Suit to rail 19.5, 22.0 mm
25Pad	G30C Pad	Suit to rail 25.0, 27.0 mm
30Pad	GSE Pad	Suit to rail 30.0 mm



R-Pad For Strong Grip

Item NO.	Applicable	Description
22RPad	S20C8 Pad	Suit to rail 19.5, 22.0 mm
25RPad	S20C10 Pad	Suit to rail 25.0, 27.0 mm
40RPad	SP25C10 Pad	Suit to rail 30.0, 40.0 mm



Nut

Item NO.	Applicable
S20C-N	Nut for rail 19.5, 22.0 mm
SC-N	Nut for rail 25.0, 27.0 mm
GS-N	Nut for rail 30.0, 36.0, 40.0 mm



Joint

Item NO.	Applicable
S20C-J	Joint for rail 19.5, 22.0 mm
SC-J	Joint for rail 25.0, 27.0 mm
GS-J	Joint for rail 30.0, 36.0, 40.0 mm



Spindle for Multiple Pad/ 2-way Ratchet Handle

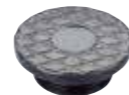
Item NO.	Applicable	Description
27KS	S30R	Suit to rail 25.0, 27.0 mm
30KS	GS25R	Suit to rail 30.0 mm

P Pad



Item NO.	Applicable
S20C-P	P-Pad for rail 19.5, 22.0 mm
SC-P	P-Pad for rail 25.0, 27.0 mm
GS-P	P-Pad for rail 30.0, 36.0, 40.0 mm

R Pad



Item NO.	Applicable
S20C-R	R-Pad for rail 19.5, 22.0 mm
SC-R	R-Pad for rail 25.0, 27.0 mm
GS-R	R-Pad for rail 30.0, 36.0, 40.0 mm

V Pad



Item NO.	Applicable
S20C-V	V-Pad for rail 19.5, 22.0 mm
SC-V	V-Pad for rail 25.0, 27.0 mm
GS-V	V-Pad for rail 30.0, 36.0, 40.0 mm

P Pad Set

Includes Joint, Pin, Nut, Pad

Item NO.	Applicable
S20CP Set	P-Pad for rail 19.5, 22.0 mm
SCP Set	P-Pad for rail 25.0, 27.0 mm
GSP Set	P-Pad for rail 30.0, 36.0, 40.0 mm

R Pad Set

Includes Joint, Pin, Nut, Pad

Item NO.	Applicable
S20CR Set	R-Pad for rail 19.5, 22.0 mm
SCR Set	R-Pad for rail 25.0, 27.0 mm
GSR Set	R-Pad for rail 30.0, 36.0, 40.0 mm

V Pad Set

Includes Joint, Pin, Nut, Pad

Item NO.	Applicable
S20CV Set	V-Pad for rail 19.5, 22.0 mm
SCV Set	V-Pad for rail 25.0, 27.0 mm
GSV Set	V-Pad for rail 30.0, 36.0, 40.0 mm

Pivot Handle Set

Includes Handle, Pin, Ball, Spring

Item NO.	Applicable	Description
14R SET	REG16C	Suit to rail 16.0 mm
16R SET	REG20C	Suit to rail 19.5, 22.0 mm
18R SET	REG30C	Suit to rail 25.0, 27.0 mm



P.P. Pad

Item NO.	Applicable	Description
13PPP	G12C/G12CS	Suit to rail 13.5 mm
16PPP	G16C/G16CS/REG16C/FA/WA	Suit to rail 16.0 mm
19PPP	G20C/G20CS/REG20C/	Suit to rail 19.5 mm
22PPP	G25C/G25CS/REG25C/FB/WB	Suit to rail 22.0 mm
25PPP	G30C/G30CS/REG30C/FC/WC	Suit to rail 25.0 mm
27PPP	SG80C/SG80CS/RESG80C/FD/WD	Suit to rail 27.0 mm



P.P. Pad

Item NO.	Applicable	Description
A PPP	NA	Suit to rail 15X5 mm
B PPP	NB	Suit to rail 20X5 mm
C PPP	NC	Suit to rail 25X6 mm
D PPP	ND	Suit to rail 27X7 mm
E PPP	NE	Suit to rail 29X9 mm
F PPP	NF	Suit to rail 32X10 mm



Lever Handle Set

Includes Lever, Handle, Trigger Set

Item NO.	Applicable	Description
12L SET	G12L	Suit to rail 13.5, 16.0 mm
20L SET	G20L	Suit to rail 19.5 mm
25L SET	G25L	Suit to rail 22.0 mm
30L SET	G30L	Suit to rail 25.0, 27.0 mm



Trigger Set

Includes Trigger, Spring, Pivot and Washer

Item NO.	Applicable	Description
12L trigger set	G12L	Suit to rail 13.5, 16.0 mm
20L trigger set	G20L	Suit to rail 19.5 mm
25L trigger set	G25L	Suit to rail 22.0 mm
30L trigger set	G30L	Suit to rail 25.0, 27.0mm



CTV Pad

Item NO.	Applicable
CTV	Suit to rail 22.0, 27.0 mm



CTD Pad

Item NO.	Applicable
CTD-1	Suit to rail 22.0 mm
CTD-2	Suit to rail 27.0 mm



PJH Pad

Item NO.	Applicable
PJHCP	PJH series clamp



P.P. Pad

Item NO.	Applicable	Description
13L PPP	G12L, G12KL	suit to rail 13.5, 16.0mm
19L PPP	G20L, G25L	suit to rail 19.5, 22.0mm
25L PPP	G30L, G40L, G80L...	suit to rail 25.0, 27.0mm



Stopper

Item NO.	Applicable	Description
13PPS	G12C/G12CS/ G12K	Suit to rail 13.5 mm



PJ Stopper

Item NO.	Applicable
PJSP	PJ series clamp



PJH Stopper

Item NO.	Applicable
PJHSP	Suit to PJH series clamp



PJH Platform

Item NO.	Applicable
PJHPF	PJH series clamp



Swivel for Pivot Handle

Item NO.	Applicable
18SWV	Suit to 18R Set. & PJH-R